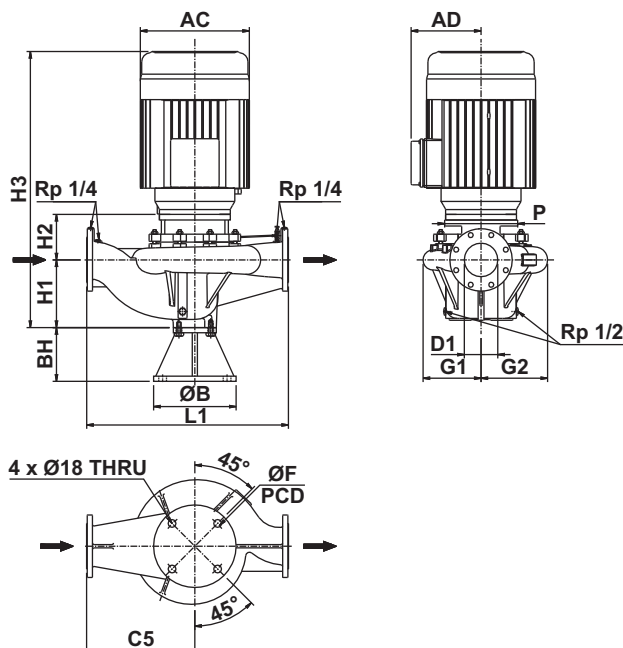


LVI - CLOSED-COUPLED VERTICAL IN-LINE PUMP



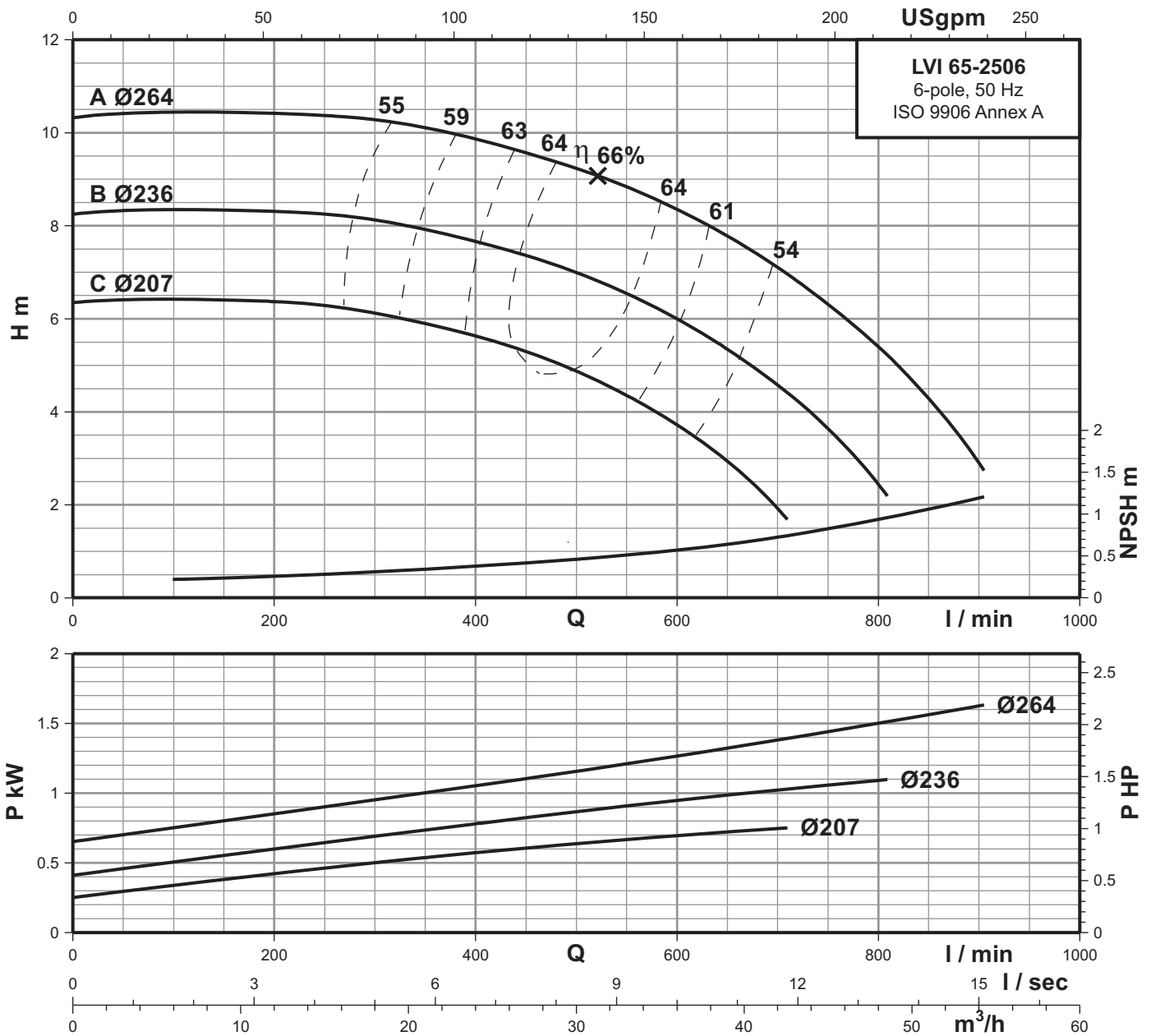
		LVI		
Power	[kW]	0.75	1.1	1.5
	[hp]	1	1.5	2
Frame		90L	90L	112M
PN	[bar]	16	16	16
Code for Impeller diameter		C	B	A
D1	[mm]	65	65	65
H1	[mm]	172	172	172
H2	[mm]	170	170	111
H3	[mm]	614	614	639
BH	[mm]	125	125	125
B	[mm]	275	275	275
F	[mm]	233	233	233
L1	[mm]	550	550	550
C5	[mm]	300	300	300
G1	[mm]	170	170	170
G2	[mm]	188	188	188
P	[mm]	200	200	165
AC	[mm]	176	176	218
AD	[mm]	125	125	150
Net Weight	[kg]	89	90	105
Gross Weight	[kg]	144	145	160
Volume	[m ³]	0.372	0.372	0.372

Performance curves

LVI 65-2506

Close-coupled & Split-coupled vertical in-line pumps

6-pole

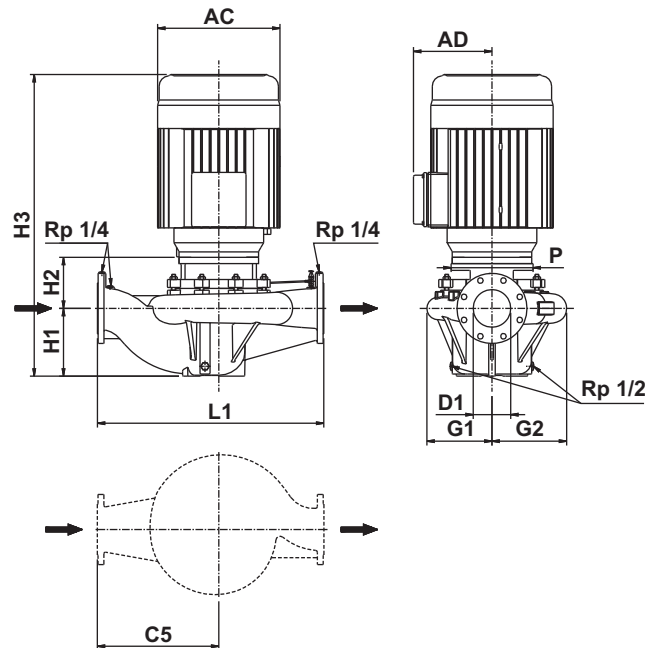


Performance data at n=960 rpm

Model	Power		Q m³/h	12	18	24	30	36	42	48	54
	kW	HP		Q l/min	200	300	400	500	600	700	800
LVI 65-2506C	0.75	1.00	H mts.	6.4	6.2	5.7	4.8	3.7	1.9	-	-
LVI 65-2506B	1.10	1.50		8.3	8.1	7.7	7.0	6.0	4.6	2.4	-
LVI 65-2506A	1.50	2.00		10.4	10.3	9.8	9.2	8.3	7.1	5.4	2.8

6 POLE

LVI - CLOSED-COUPLED VERTICAL IN-LINE PUMP



		LVI		
Power	[kW]	0.75	1.10	1.50
	[hp]	1.00	1.50	2.00
Frame		90L	90L	112M
PN	[bar]	16	16	16
Code for Impeller diameter		C	B	A
D1	[mm]	80	80	80
H1	[mm]	170	170	170
H2	[mm]	170	170	115
H3	[mm]	612	612	641
L1	[mm]	559	559	559
C5	[mm]	309	309	309
G1	[mm]	155	155	155
G2	[mm]	183	183	183
P	[mm]	200	200	165
AC	[mm]	176	176	218
AD	[mm]	125	125	150
Net Weight	[kg]	77	78	90
Gross Weight	[kg]	129	130	142
Volume	[m ³]	0.393	0.393	0.393

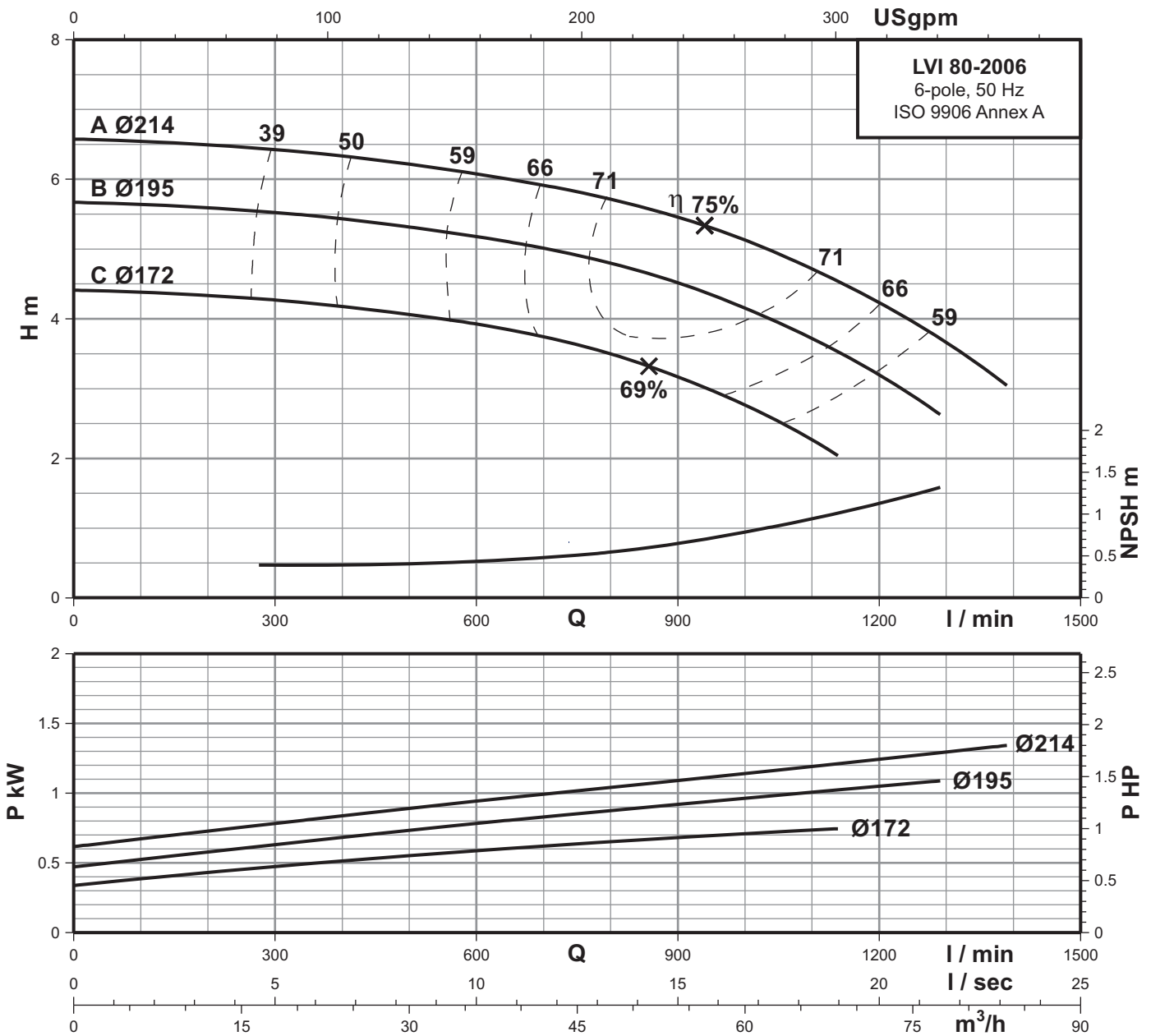
6 POLE

Performance curves

LVI 80-2006

Close-coupled & Split-coupled vertical in-line pumps

6-pole

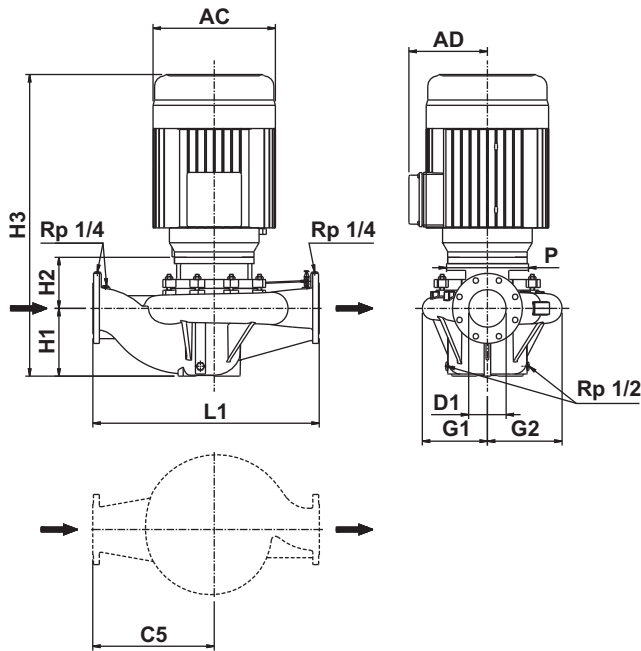


Performance data at n=960 rpm

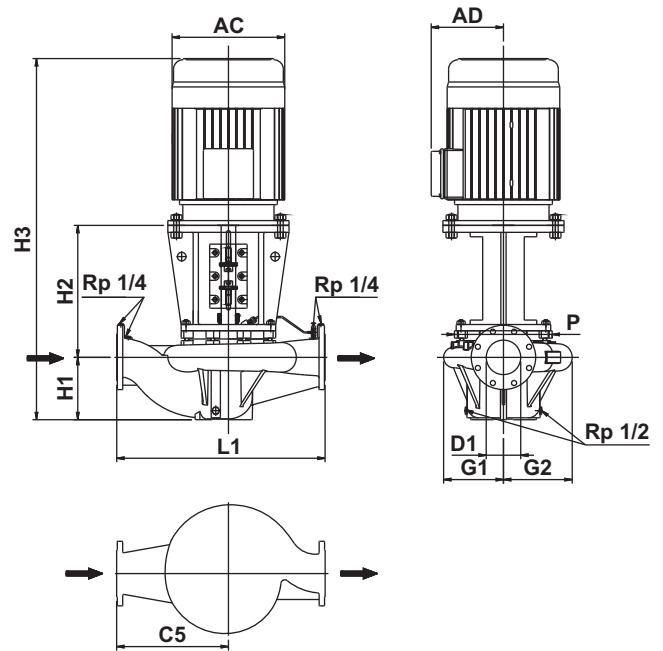
Model	Power		Q m³/h	18	24	30	36	42	48	54	60	66	72	78
	kW	HP		Q l/min	300	400	500	600	700	800	900	1000	1100	1200
LVI 80-2006C	0.75	1.00	H mts.	4.3	4.2	4.1	3.9	3.7	3.5	3.2	2.7	2.2	-	-
LVI 80-2006B	1.10	1.50		5.5	5.4	5.3	5.2	5	4.7	4.5	4.2	3.7	3.2	-
LVI 80-2006A	1.50	2.00		6.4	6.3	6.2	6.1	5.9	5.7	5.4	5.2	4.7	4.2	3.5

6 POLE

LVI - CLOSED-COUPLED VERTICAL IN-LINE PUMP



LVS - SPLIT-COUPLED VERTICAL IN-LINE PUMP



		LVI			LVS
Power	[kW]	1.5	2.2	3	3
	[hp]	2	3	4	4
Frame		112M	112M	132M	132M
PN	[bar]	16	16	16	16
Code for Impeller diameter		C	B	A	A
D1	[mm]	80	80	80	80
H1	[mm]	174	174	174	174
H2	[mm]	110	110	117	351
H3	[mm]	640	640	708	938
L1	[mm]	605	605	605	605
C5	[mm]	325	325	325	325
G1	[mm]	178	178	178	178
G2	[mm]	204	204	204	204
P	[mm]	165	165	225	225
AC	[mm]	218	218	260	260
AD	[mm]	150	150	178	178
Net Weight	[kg]	104	108	134	160
Gross Weight	[kg]	156	160	186	220
Volume	[m ³]	0.393	0.393	0.393	0.430

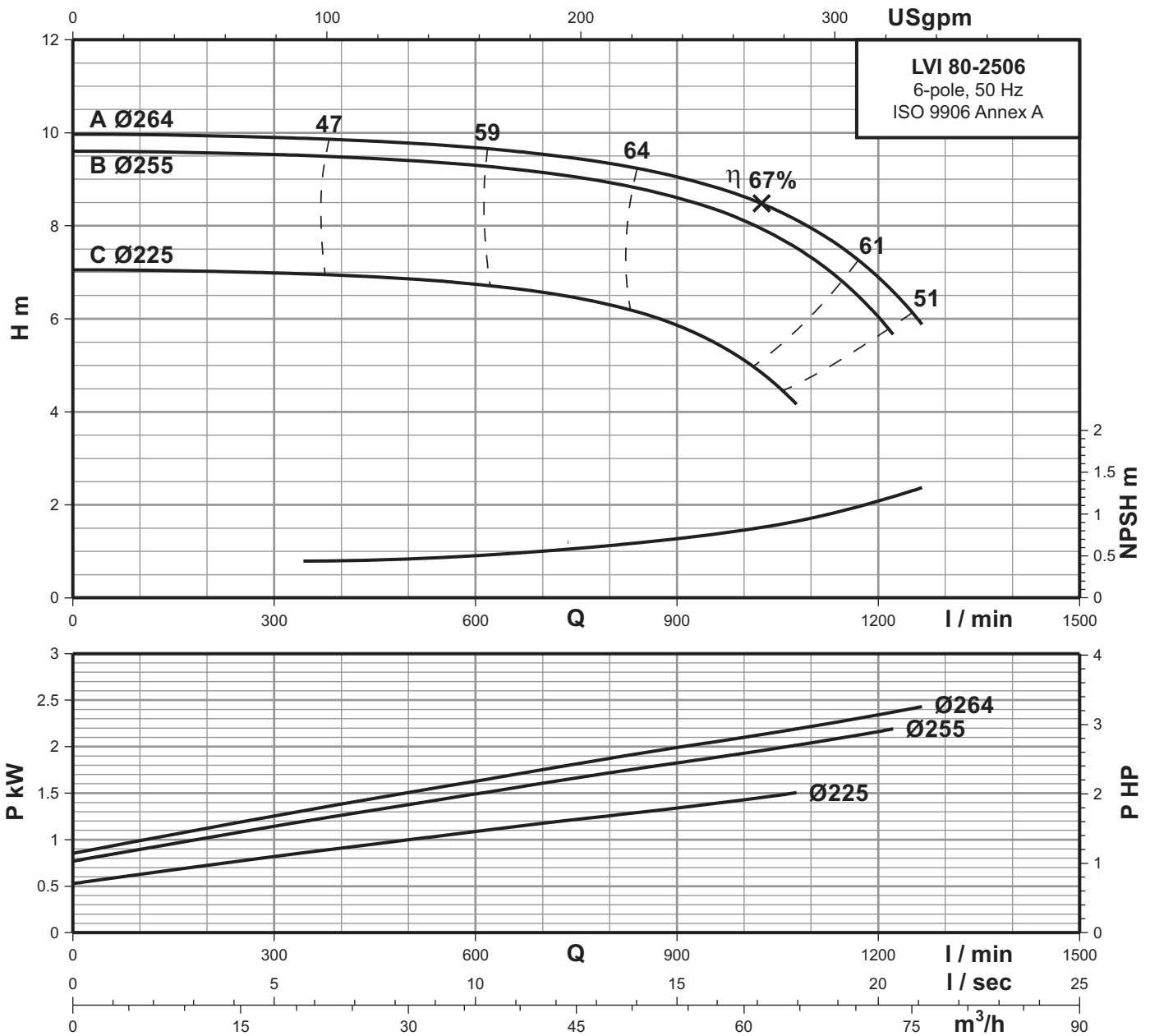
6 POLE

Performance curves

LVI 80-2506

Close-coupled & Split-coupled vertical in-line pumps

6-pole



Performance data at n=960 rpm

Model	Power		Q m³/h	18	24	30	36	42	48	54	60	66	72
	kW	HP		Q l/min	300	400	500	600	700	800	900	1000	1100
LVI 80-2506C	1.50	2.00	H mts.	7	6.9	6.8	6.7	6.5	6.3	5.8	5	-	-
LVI 80-2506B	2.20	3.00		9.5	9.5	9.4	9.3	9.1	8.9	8.6	8.1	7.3	6
LVI 80-2506A	3.00	4.00		9.9	9.8	9.7	9.6	9.5	9.3	9	8.6	7.9	6.9

Note: Performance of LVS pump is same as LVI pump.

While ordering of LVS series pump, please use LVS prefix instead of LVI to pump model.

6 POLE

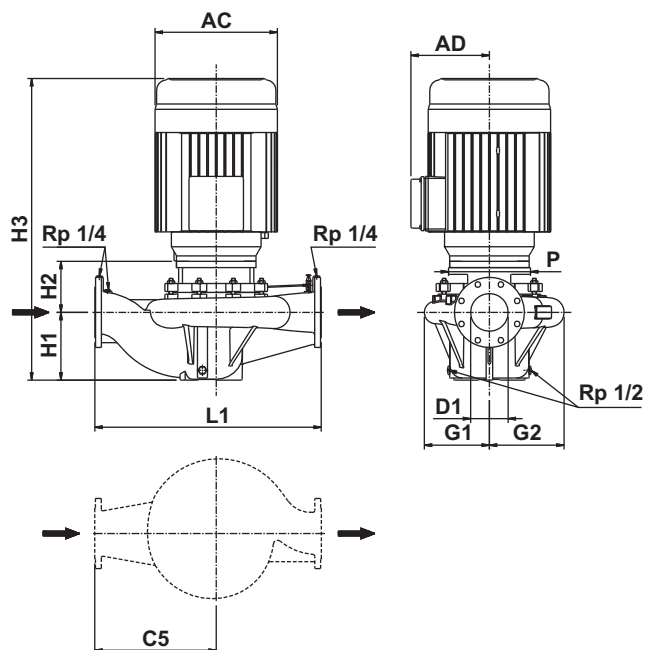
Technical Data

Close-coupled & Split-coupled vertical in-line pumps

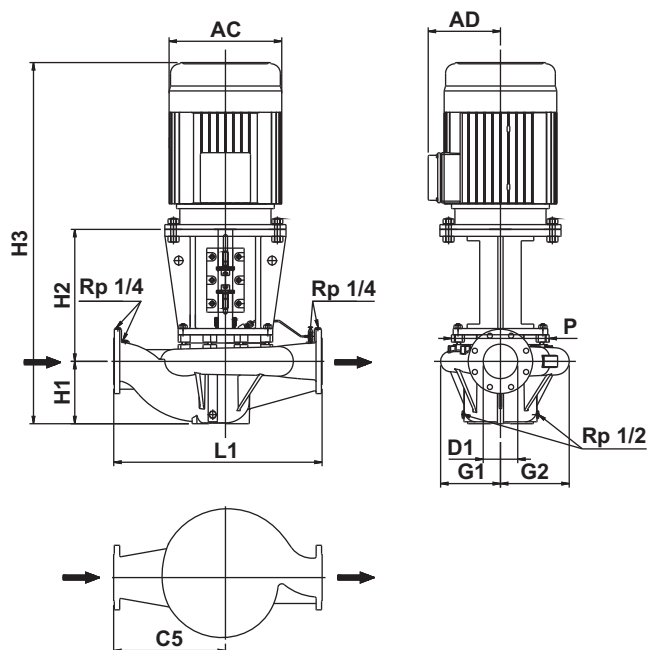
LVI 80-3156

6-pole

LVI - CLOSED-COUPLED VERTICAL IN-LINE PUMP



LVS - SPLIT-COUPLED VERTICAL IN-LINE PUMP



		LVI			LVS	
Power	[kW]	2.20	3.00	4.00	3.00	4.00
	[hp]	3.00	4.00	5.50	4.00	5.50
Frame		112M	132M	132M	132M	132M
PN	[bar]	16	16	16	16	16
Code for Impeller diameter		C	B	A	B	A
D1	[mm]	80	80	80	80	80
H1	[mm]	185	185	185	185	185
H2	[mm]	113	125	125	351	351
H3	[mm]	654	727	727	957	957
L1	[mm]	680	680	680	680	680
C5	[mm]	365	365	365	365	365
G1	[mm]	204	204	204	204	204
G2	[mm]	227	227	227	227	227
P	[mm]	165	225	225	225	225
AC	[mm]	218	260	260	260	260
AD	[mm]	150	178	178	178	178
Net Weight	[kg]	115	144	146	170	172
Gross Weight	[kg]	183	212	214	246	248
Volume	[m ³]	0.542	0.542	0.542	0.602	0.602

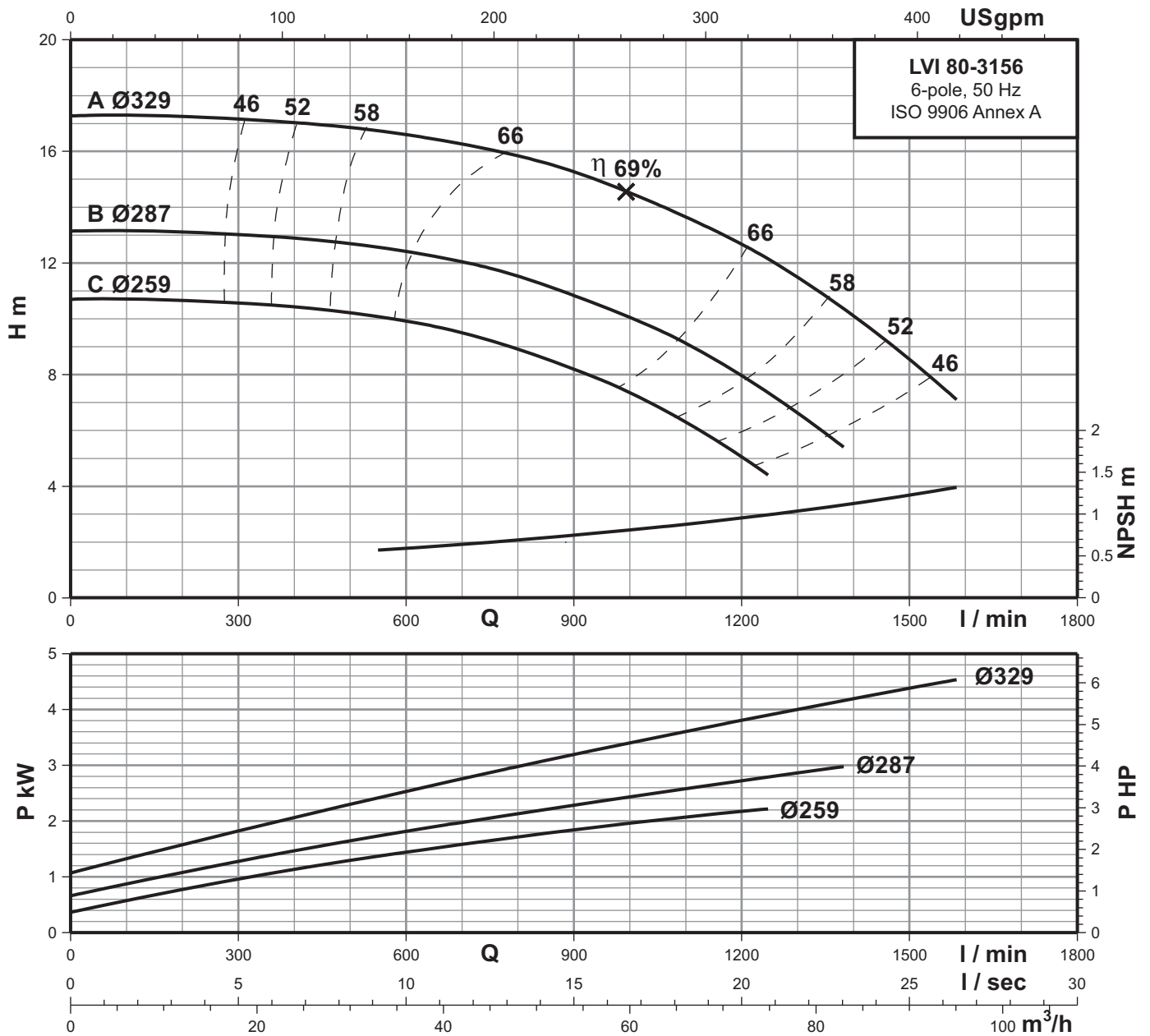
6 POLE

Performance curves

LVI 80-3156

Close-coupled & Split-coupled vertical in-line pumps

6-pole



Performance data at n=960 rpm

Model	Power		Q m³/h	24	30	36	42	48	54	60	66	72	78	84	90
	kW	HP		400	500	600	700	800	900	1000	1100	1200	1300	1400	1500
LVI 80-3156C	2.20	3.00	H mts.	10.4	10.2	9.9	9.5	8.9	8.2	7.3	6.3	5	-	-	-
LVI 80-3156B	3.00	4.00		12.9	12.6	12.4	12	11.6	10.8	10	9.2	8	6.6	-	-
LVI 80-3156A	4.00	5.50		17	16.8	16.6	16.3	15.8	15.3	14.5	13.7	12.6	11.5	10.2	8.5

Note: Performance of LVS pump is same as LVI pump.

While ordering of LVS series pump, please use LVS prefix instead of LVI to pump model.

6 POLE

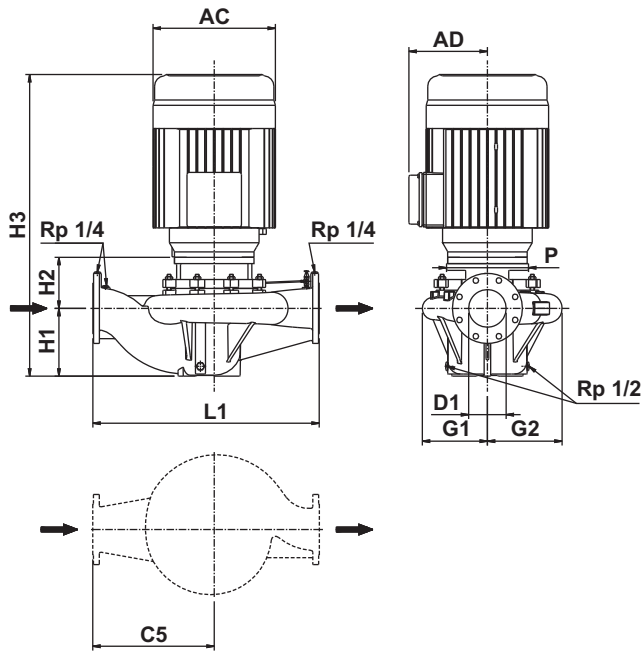
Technical Data

Close-coupled & Split-coupled vertical in-line pumps

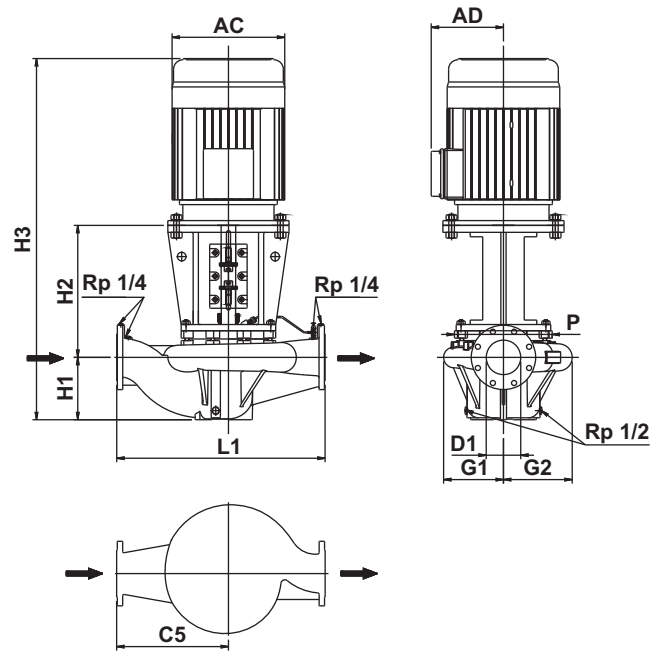
LVI 80-4006

6-pole

LVI - CLOSED-COUPLED VERTICAL IN-LINE PUMP



LVS - SPLIT-COUPLED VERTICAL IN-LINE PUMP



		LVI			LVS		
Power	[kW]	5.50	7.50	9.30	5.50	7.50	9.30
	[hp]	7.50	10.0	12.5	7.50	10.0	12.5
Frame		132M	160M	160M	132M	160M	160M
PN	[bar]	16	16	16	16	16	16
Code for Impeller diameter		C	B	A	C	B	A
D1	[mm]	80	80	80	80	80	80
H1	[mm]	190	190	190	190	190	190
H2	[mm]	148	148	148	361	396	396
H3	[mm]	755	838	838	985	1923	1923
L1	[mm]	760	760	760	760	760	760
C5	[mm]	405	405	405	405	405	405
G1	[mm]	254	254	254	254	254	254
G2	[mm]	276	276	276	276	276	276
P	[mm]	225	254	254	225	254	254
AC	[mm]	260	303	303	260	303	303
AD	[mm]	178	222	222	178	222	222
Net Weight	[kg]	188	196	202	214	229	235
Gross Weight	[kg]	277	285	291	311	330	336
Volume	[m ³]	0.802	0.802	0.802	0.974	0.974	0.974

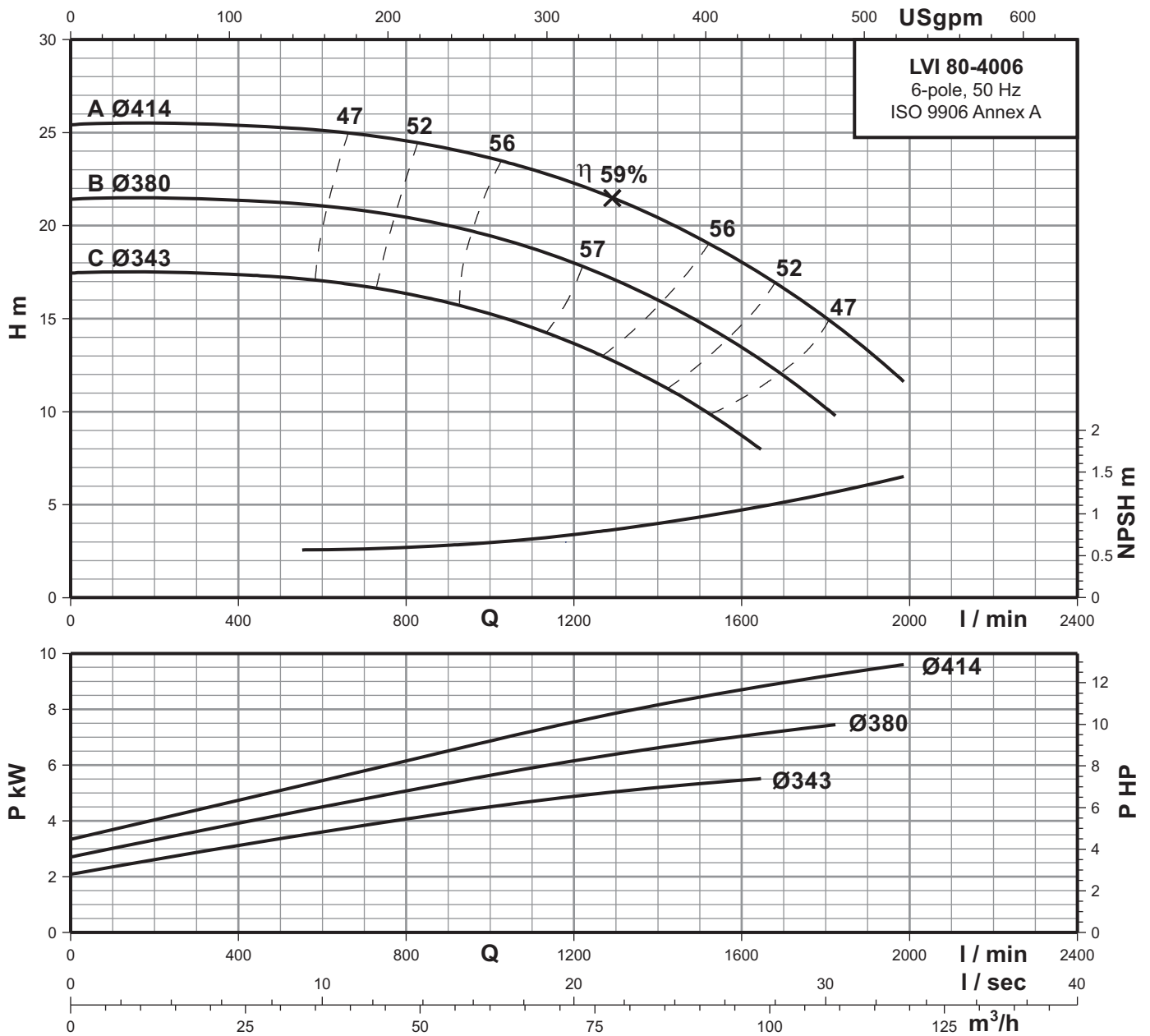
6 POLE

Performance curves

LVI 80-4006

Close-coupled & Split-coupled vertical in-line pumps

6-pole



Performance data at n=960 rpm

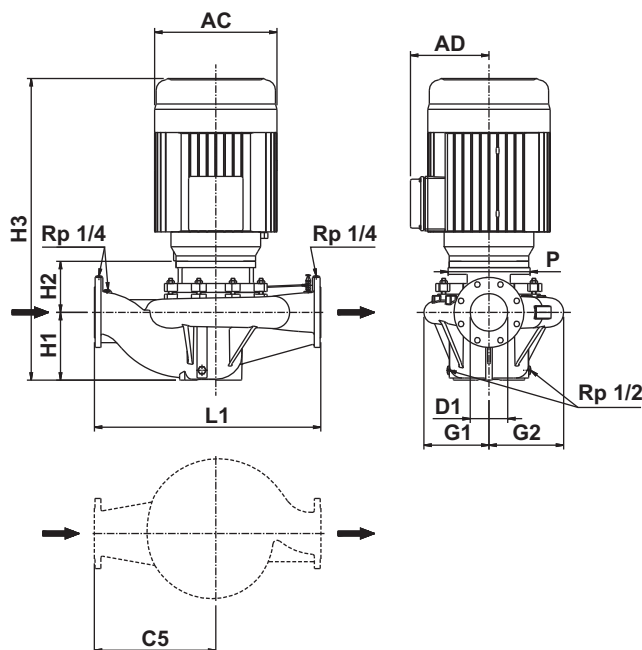
Model	Power		Q m³/h	36	48	54	60	66	72	78	84	90	96	102	108	114
	kW	HP		600	800	900	1000	1100	1200	1300	1400	1500	1600	1700	1800	1900
LVI 80-4006C	5.50	7.50	H mts.	17	16.4	15.9	15.3	14.5	13.6	12.6	11.5	10.2	8.7	-	-	-
LVI 80-4006B	7.50	10.0		21	20.4	20	19.5	18.7	18	17	16	14.8	13.5	12	10.2	-
LVI 80-4006A	9.30	12.5		25.1	24.5	24.1	23.6	23	22.3	21.4	20.4	19.3	18	16.7	15	13.3

Note: Performance of LVS pump is same as LVI pump.

While ordering of LVS series pump, please use LVS prefix instead of LVI to pump model.

6 POLE

LVI - CLOSED-COUPLED VERTICAL IN-LINE PUMP



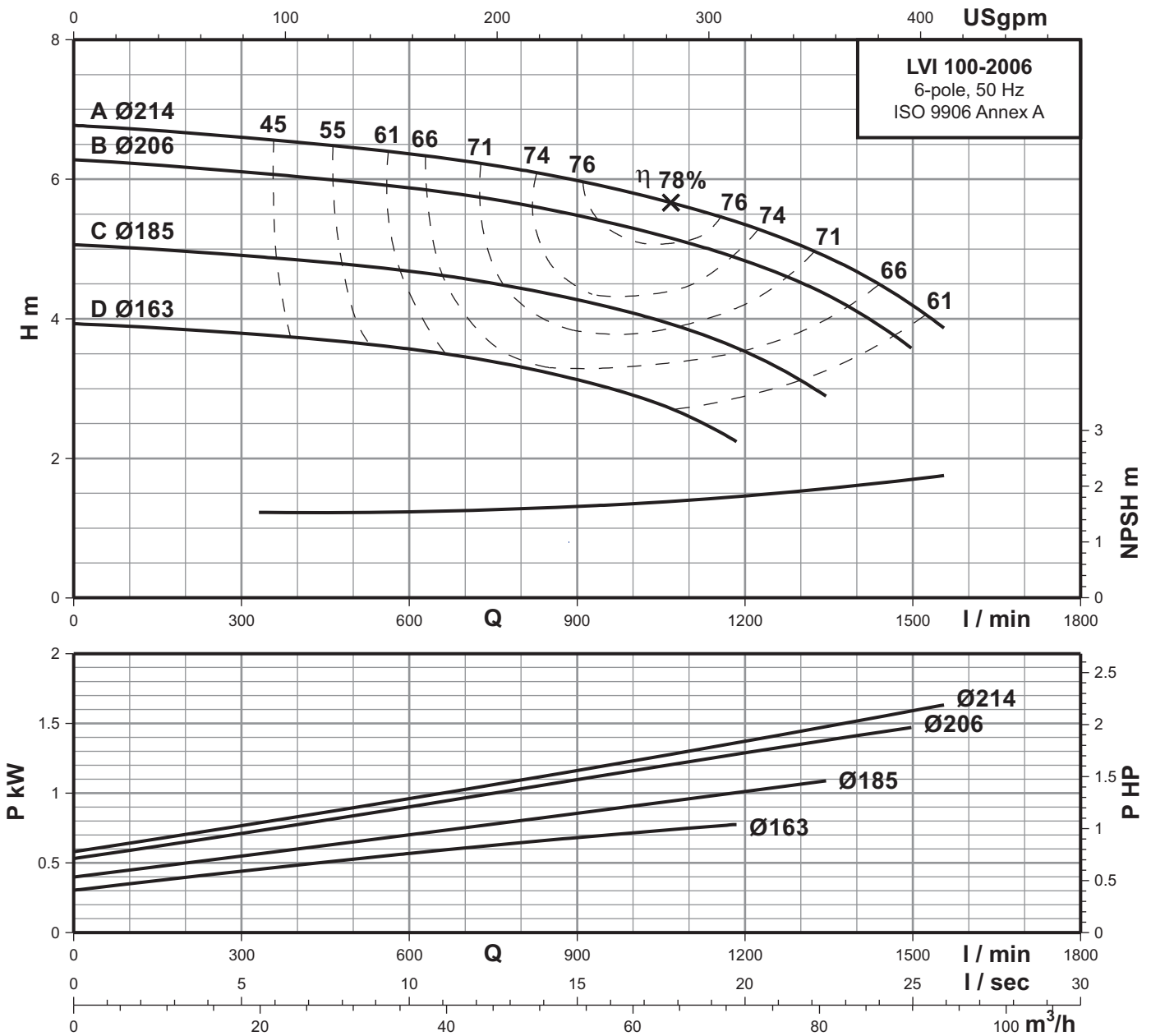
		LVI			
Power	[kW]	0.75	1.10	1.50	2.20
	[hp]	1.00	1.50	2.00	3.00
Frame		90L	90L	112M	112M
PN	[bar]	16	16	16	16
Code for Impeller diameter		D	C	B	A
D1	[mm]	100	100	100	100
H1	[mm]	190	190	190	190
H2	[mm]	170	170	115	115
H3	[mm]	632	632	661	661
L1	[mm]	620	620	620	620
C5	[mm]	340	340	340	340
G1	[mm]	204	204	204	204
G2	[mm]	227	227	227	227
P	[mm]	200	200	165	165
AC	[mm]	176	176	218	218
AD	[mm]	125	125	150	150
Net Weight	[kg]	86	87	100	104
Gross Weight	[kg]	153	154	167	171
Volume	[m ³]	0.542	0.542	0.542	0.542

Performance curves

LVI 100-2006

Close-coupled & Split-coupled vertical in-line pumps

6-pole



Performance data at n=960 rpm

Model	Power		Q m³/h	24	30	36	42	48	54	60	66	72	78	84	90
	kW	HP		400	500	600	700	800	900	1000	1100	1200	1300	1400	1500
LVI 100-2006D	0.75	1.00	H mts.	3.8	3.7	3.6	3.4	3.3	3.2	2.9	2.6	-	-	-	-
LVI 100-2006C	1.10	1.50		4.8	4.7	4.7	4.6	4.4	4.2	4.1	3.8	3.6	3.2	-	-
LVI 100-2006B	1.50	2.00		6.1	5.9	5.8	5.7	5.7	5.5	5.3	5.1	4.8	4.5	4.1	3.6
LVI 100-2006A	2.20	3.00		6.6	6.5	6.4	6.3	6.2	6	5.8	5.6	5.3	5.1	4.7	4.2

6 POLE

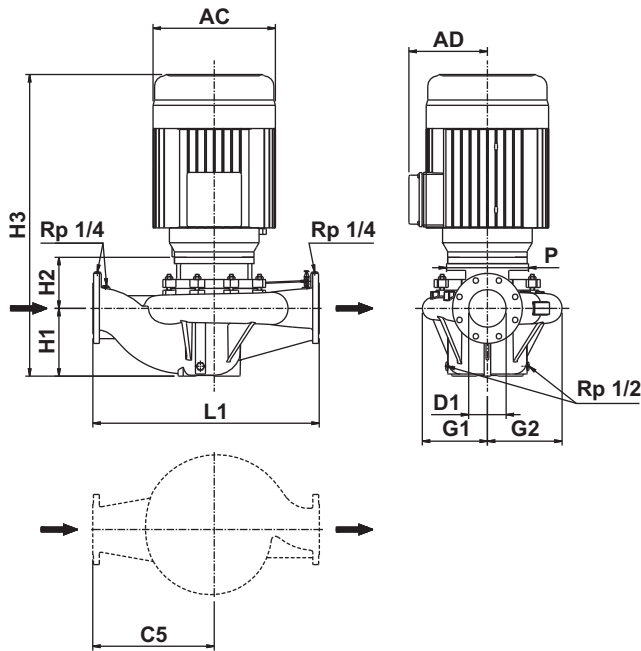
Technical Data

LVI 100-2506

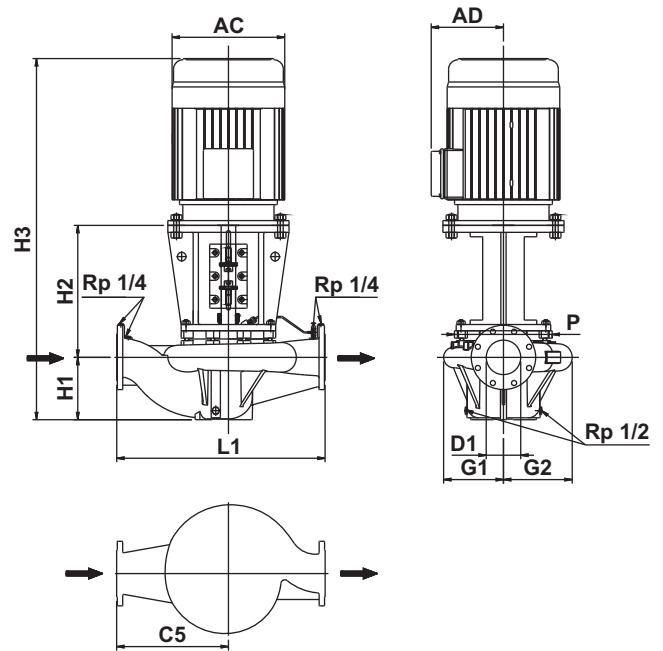
Close-coupled & Split-coupled vertical in-line pumps

6-pole

LVI - CLOSED-COUPLED VERTICAL IN-LINE PUMP



LVS - SPLIT-COUPLED VERTICAL IN-LINE PUMP



		LVI			LVS
Power	[kW]	1.50	2.20	3.00	3.00
	[hp]	2.00	3.00	4.00	4.00
Frame		112M	112M	132M	132M
PN	[bar]	16	16	16	16
Code for Impeller diameter		C	B	A	A
D1	[mm]	100	100	100	100
H1	[mm]	205	205	205	205
H2	[mm]	110	110	116	351
H3	[mm]	671	671	738	968
L1	[mm]	661	661	661	661
C5	[mm]	381	381	381	381
G1	[mm]	185	185	185	185
G2	[mm]	214	214	214	214
P	[mm]	165	165	225	225
AC	[mm]	218	218	260	260
AD	[mm]	150	150	178	178
Net Weight	[kg]	112	116	142	168
Gross Weight	[kg]	180	184	210	244
Volume	[m ³]	0.542	0.542	0.542	0.602

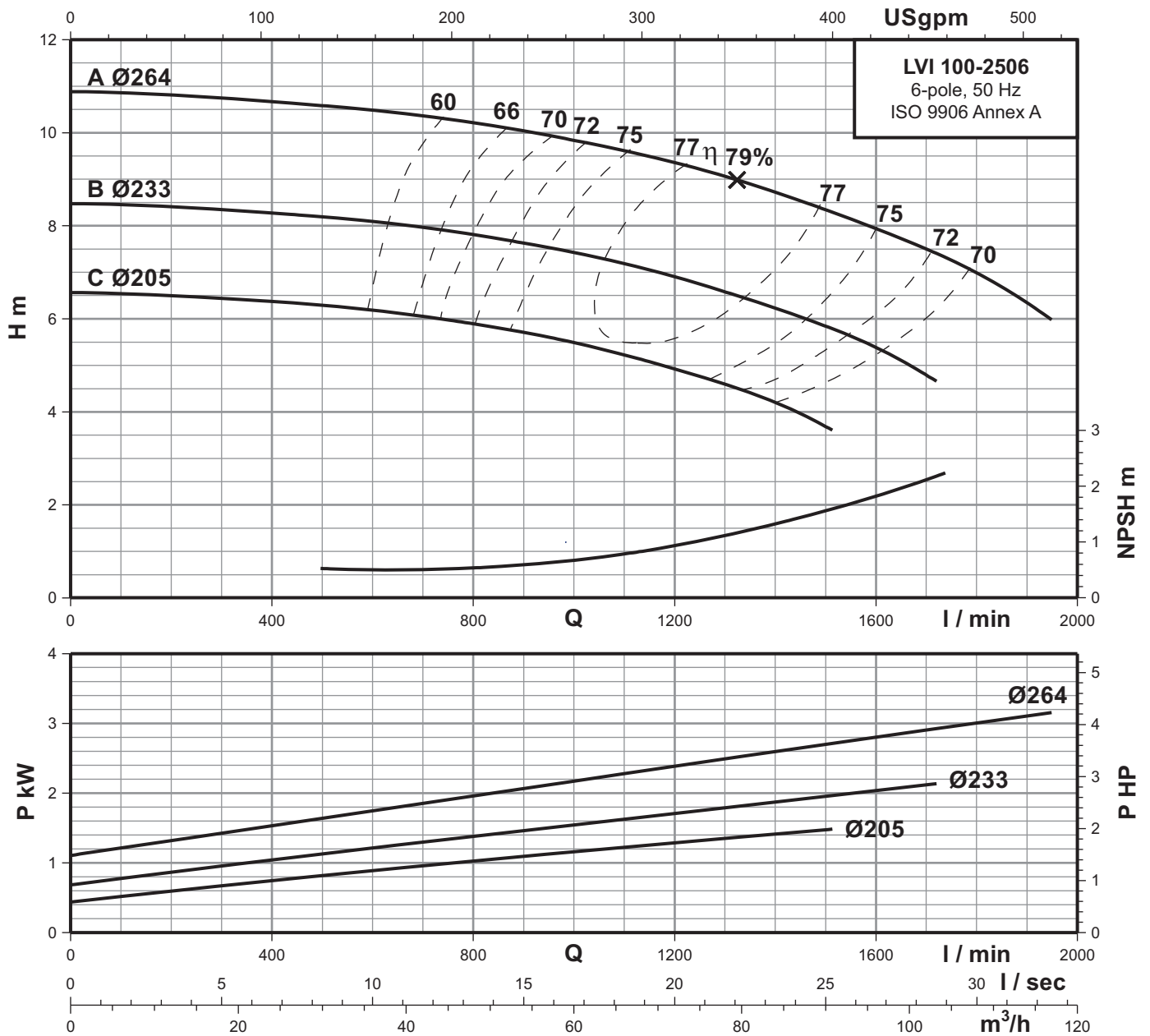
6 POLE

Performance curves

LVI 100-2506

Close-coupled & Split-coupled vertical in-line pumps

6-pole



Performance data at n=960 rpm

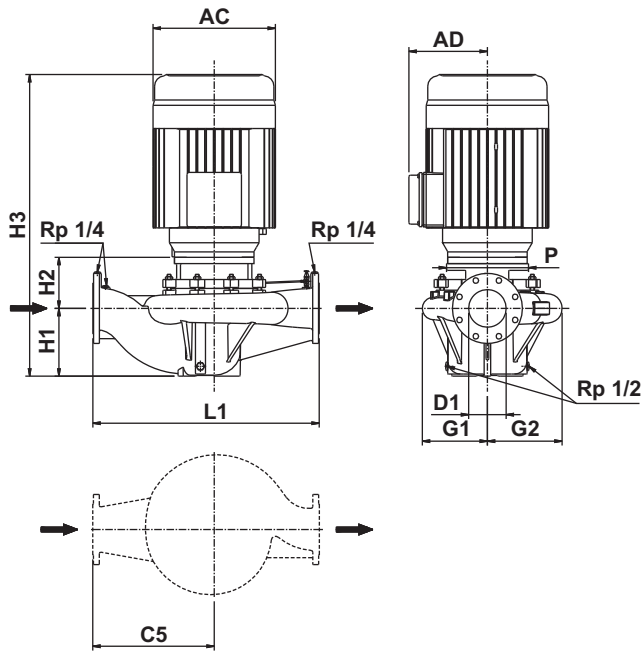
Model	Power		Q m ³ /h	24	36	48	60	72	84	96	108
	kW	HP		Q l/min	400	600	800	1000	1200	1400	1600
LVI 100-2506C	1.50	2.00	H mts.	6.3	6.2	5.8	5.5	4.9	4.2	-	-
LVI 100-2506B	2.20	3.00		8.3	8.1	7.8	7.4	6.9	6.2	5.4	-
LVI 100-2506A	3.00	4.00		10.7	10.5	10.2	9.8	9.3	8.7	7.9	7.1

Note: Performance of LVS pump is same as LVI pump.

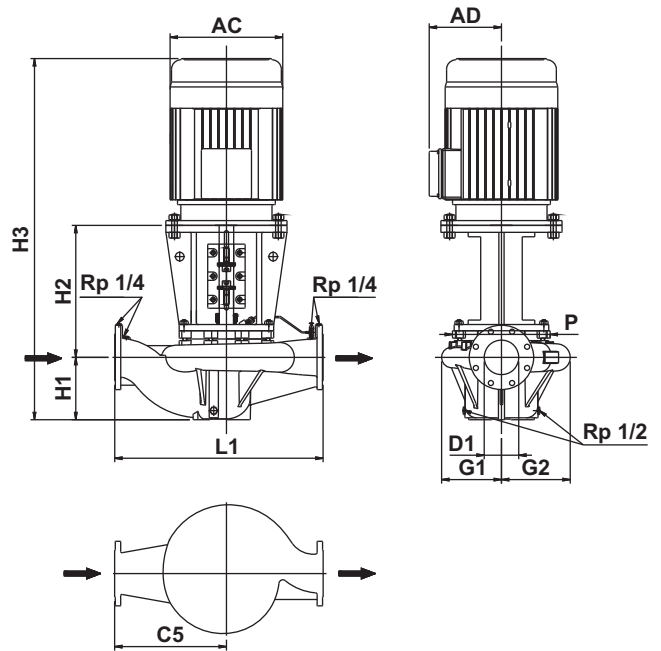
While ordering of LVS series pump, please use LVS prefix instead of LVI to pump model.

6 POLE

LVI - CLOSED-COUPLED VERTICAL IN-LINE PUMP



LVS - SPLIT-COUPLED VERTICAL IN-LINE PUMP



		LVI			LVS		
Power	[kW]	4.00	5.50	7.50	4.00	5.50	7.50
	[hp]	5.50	7.50	10.0	5.50	7.50	10.0
Frame		132M	132M	160M	132M	132M	160M
PN	[bar]	16	16	16	16	16	16
Code for Impeller diameter		C	B	A	C	B	A
D1	[mm]	100	100	100	100	100	100
H1	[mm]	210	210	210	210	210	210
H2	[mm]	125	125	138	351	351	386
H3	[mm]	752	752	848	982	982	1095
L1	[mm]	695	695	695	695	695	695
C5	[mm]	380	380	380	380	380	380
G1	[mm]	215	215	215	215	215	215
G2	[mm]	243	243	243	243	243	243
P	[mm]	225	225	254	225	225	254
AC	[mm]	260	260	303	260	260	303
AD	[mm]	178	178	222	178	178	222
Net Weight	[kg]	162	173	181	188	199	214
Gross Weight	[kg]	230	241	254	264	275	299
Volume	[m ³]	0.542	0.542	0.608	0.602	0.602	0.667

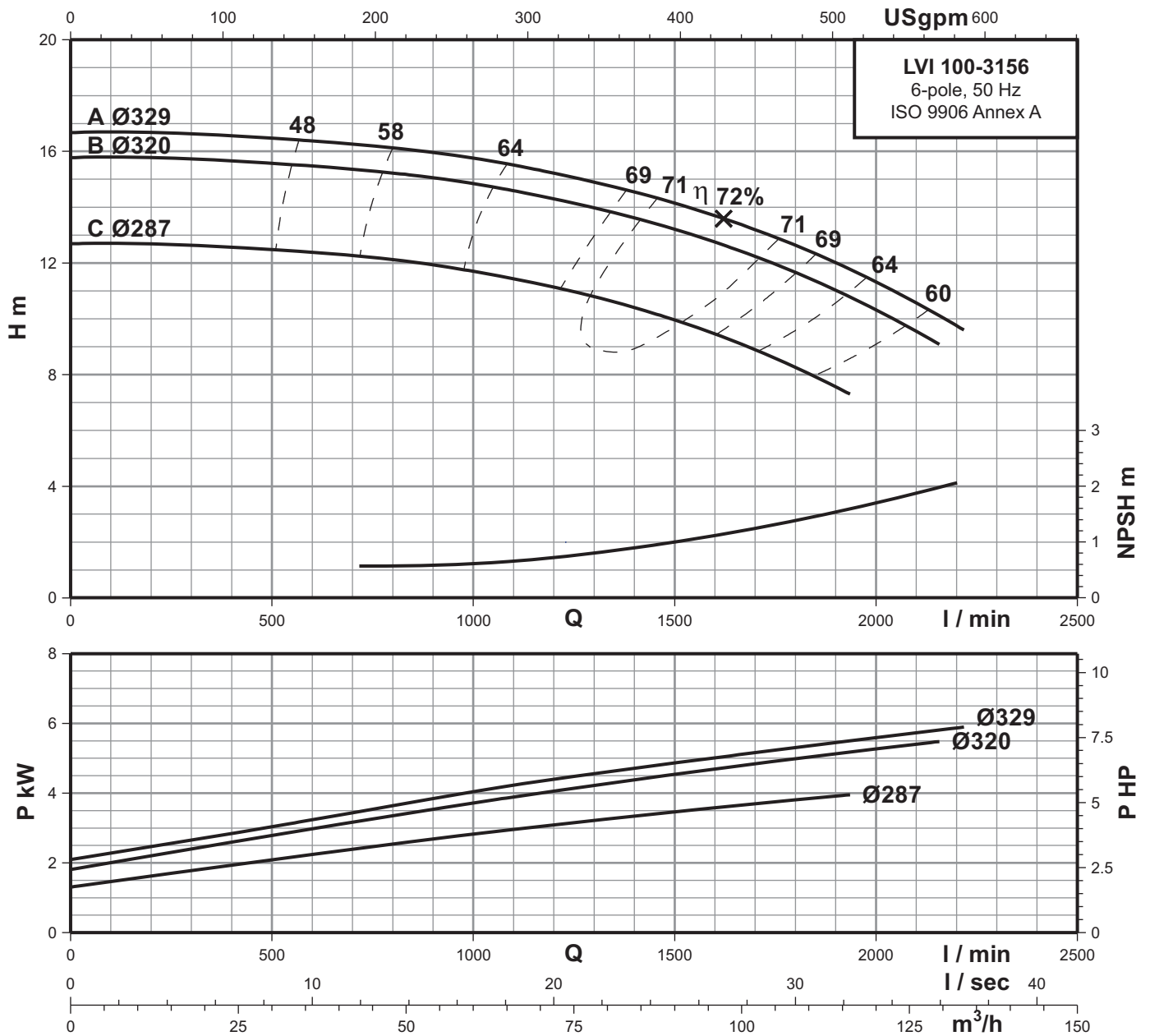
6 POLE

Performance curves

LVI 100-3156

Close-coupled & Split-coupled vertical in-line pumps

6-pole



Performance data at n=960 rpm

Model	Power		Q m ³ /h	30	42	60	72	90	102	120	132
	kW	HP		Q l/min	500	700	1000	1200	1500	1700	2000
LVI 100-3156C	4.00	5.50	H mts.	12.4	12.3	11.7	11.2	10	8.9	-	-
LVI 100-3156B	5.50	7.50		15.6	15.4	14.8	14.3	13.3	12.3	10.3	-
LVI 100-3156A	7.50	10.0		16.5	16.2	15.7	15.3	14.2	13.3	11.4	9.7

Note: Performance of LVS pump is same as LVI pump.

While ordering of LVS series pump, please use LVS prefix instead of LVI to pump model.

6 POLE

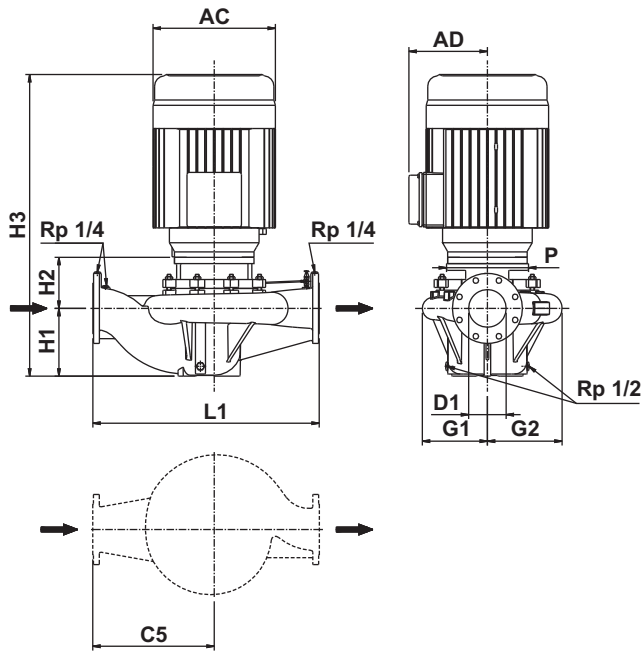
Technical Data

LVI 100-4006

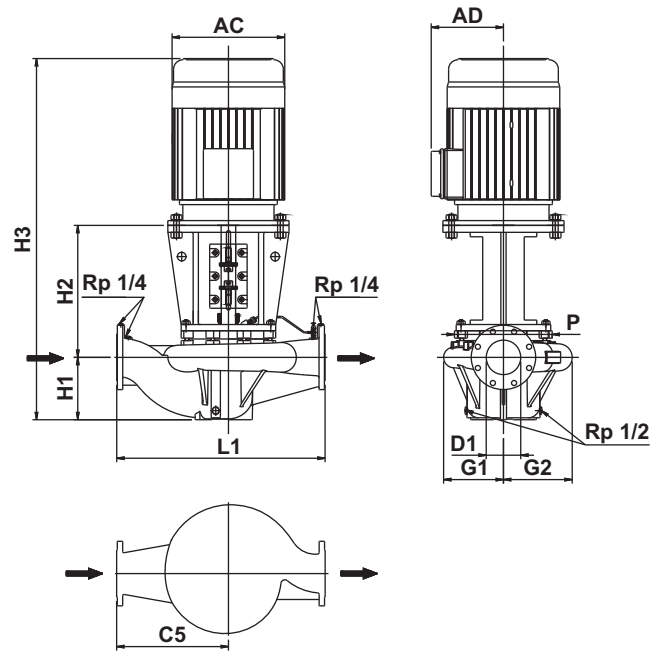
Close-coupled & Split-coupled vertical in-line pumps

6-pole

LVI - CLOSED-COUPLED VERTICAL IN-LINE PUMP



LVS - SPLIT-COUPLED VERTICAL IN-LINE PUMP



		LVI				LVS			
Power	[kW]	7.50	9.30	11.0	15.0	7.50	9.30	11.0	15.0
	[hp]	10.0	12.5	15.0	20.0	10.0	12.5	15.0	20.0
Frame		160M	160M	160L	180L	160M	160M	160L	180L
PN	[bar]	16	16	16	16	16	16	16	16
Code for Impeller diameter		D	C	B	A	D	C	B	A
D1	[mm]	100	100	100	100	100	100	100	100
H1	[mm]	215	215	215	215	215	215	215	215
H2	[mm]	148	148	148	148	396	396	396	396
H3	[mm]	863	863	907	1005	1110	1110	1154	1254
L1	[mm]	780	780	780	780	780	780	780	780
C5	[mm]	425	425	425	425	425	425	425	425
G1	[mm]	204	204	204	204	204	204	204	204
G2	[mm]	227	227	227	227	227	227	227	227
P	[mm]	254	254	254	356	254	254	254	356
AC	[mm]	303	303	303	356	303	303	303	356
AD	[mm]	222	222	222	294	222	222	222	294
Net Weight	[kg]	212	217	222	352	245	250	255	385
Gross Weight	[kg]	301	306	311	448	346	351	356	498
Volume	[m ³]	0.802	0.802	0.802	0.923	0.974	0.974	0.974	1.084

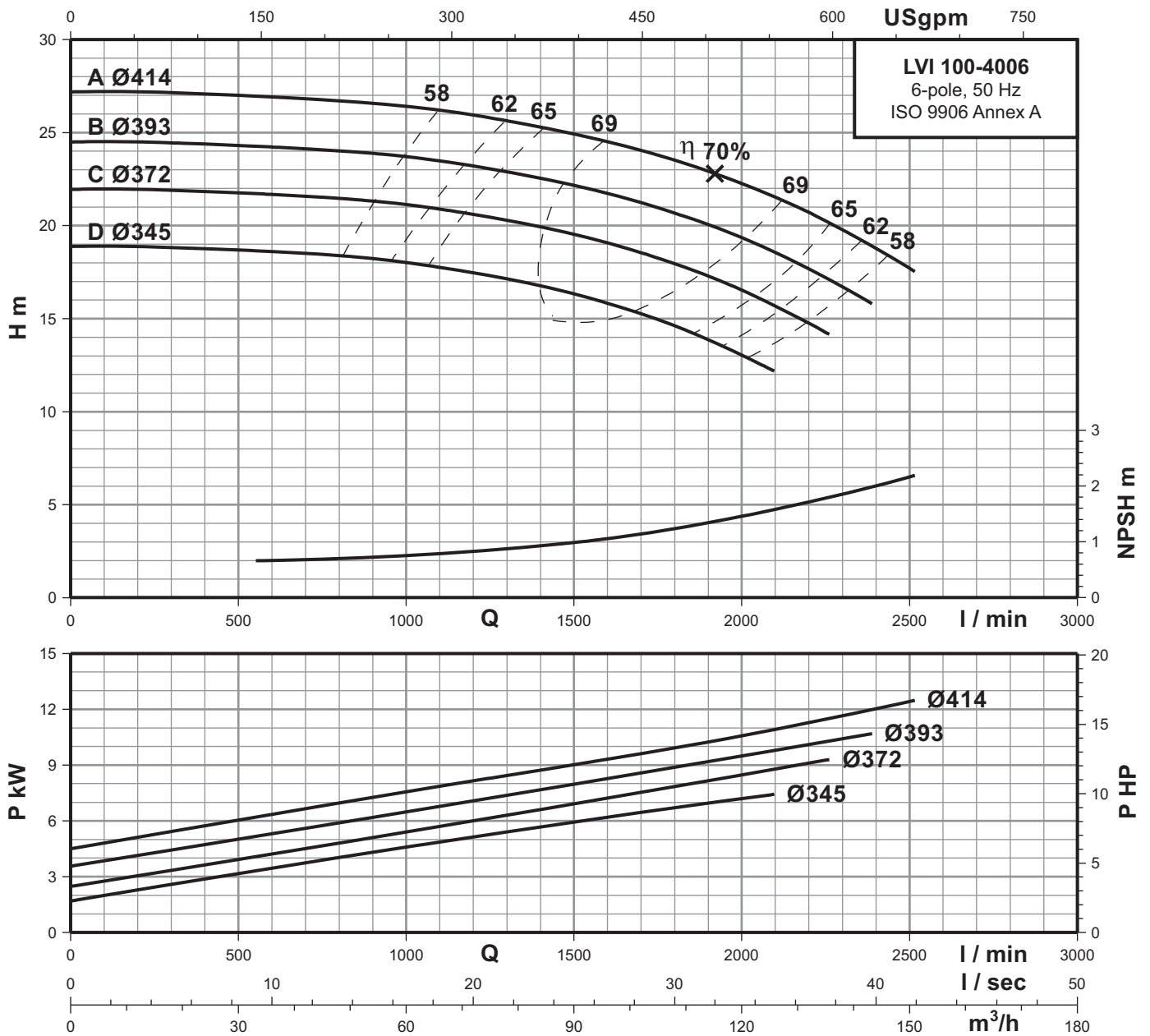
6 POLE

Performance curves

LVI 100-4006

Close-coupled & Split-coupled vertical in-line pumps

6-pole



Performance data at n=960 rpm

Model	Power		Q m ³ /h	30	42	60	72	90	102	120	132	150
	kW	HP		Q l/min	500	700	1000	1200	1500	1700	2000	2200
LVI 100-4006D	7.50	10.0	H mts.	18.6	18.5	18	17.5	16.3	15.2	13	-	-
LVI 100-4006C	9.30	12.5		21.7	21.6	21.1	20.6	19.5	18.5	16.5	14.7	-
LVI 100-4006B	11.0	15.0		24.3	24.1	23.7	23.2	22.2	21.3	19.4	17.7	-
LVI 100-4006A	15.0	20.0		27	26.8	26.5	26	24.9	24	22.3	20.7	17.7

Note: Performance of LVS pump is same as LVI pump.

While ordering of LVS series pump, please use LVS prefix instead of LVI to pump model.

6 POLE

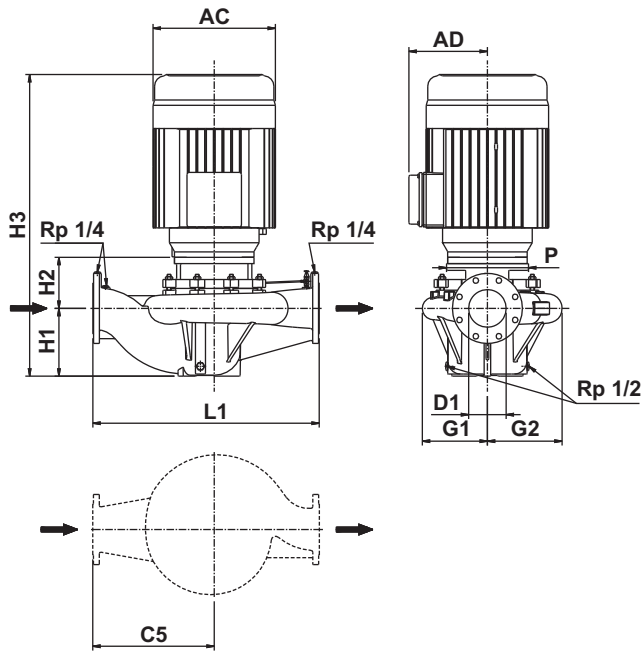
Technical Data

LVI 125-2506

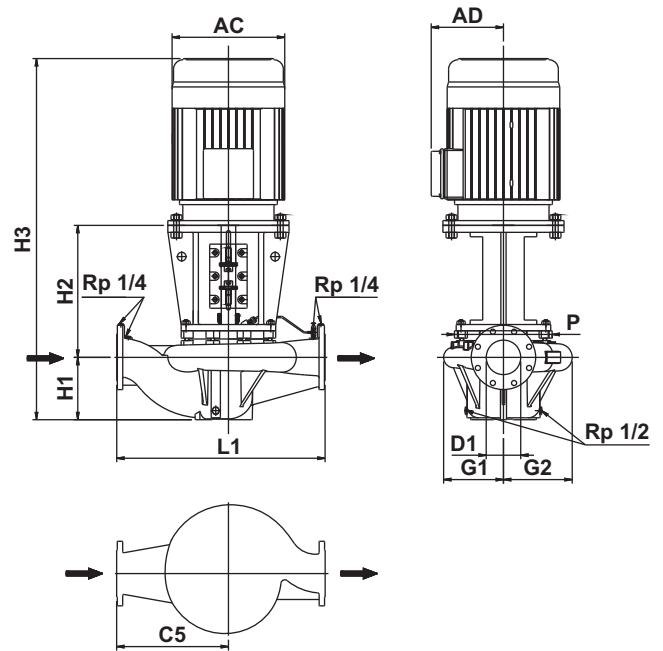
Close-coupled & Split-coupled vertical in-line pumps

6-pole

LVI - CLOSED-COUPLED VERTICAL IN-LINE PUMP



LVS - SPLIT-COUPLED VERTICAL IN-LINE PUMP



		LVI				LVS		
Power	[kW]	2.20	3.00	4.00	5.50	3.00	4.00	5.50
	[hp]	3.00	4.00	5.50	7.50	4.00	5.50	7.50
Frame		112M	132M	132M	132M	132M	132M	132M
PN	[bar]	16	16	16	16	16	16	16
Code for Impeller diameter		D	C	B	A	C	B	A
D1	[mm]	125	125	125	125	125	125	125
H1	[mm]	235	235	235	235	235	235	235
H2	[mm]	112	118	118	118	352	352	352
H3	[mm]	703	770	770	770	1000	1000	1000
L1	[mm]	760	760	760	760	760	760	760
C5	[mm]	405	405	405	405	405	405	405
G1	[mm]	204	204	204	204	204	204	204
G2	[mm]	227	227	227	227	227	227	227
P	[mm]	165	225	225	225	225	225	225
AC	[mm]	218	260	260	260	260	260	260
AD	[mm]	150	178	178	178	178	178	178
Net Weight	[kg]	172	199	201	211	225	227	237
Gross Weight	[kg]	247	274	276	286	308	310	320
Volume	[m ³]	0.611	0.611	0.611	0.611	0.787	0.787	0.787

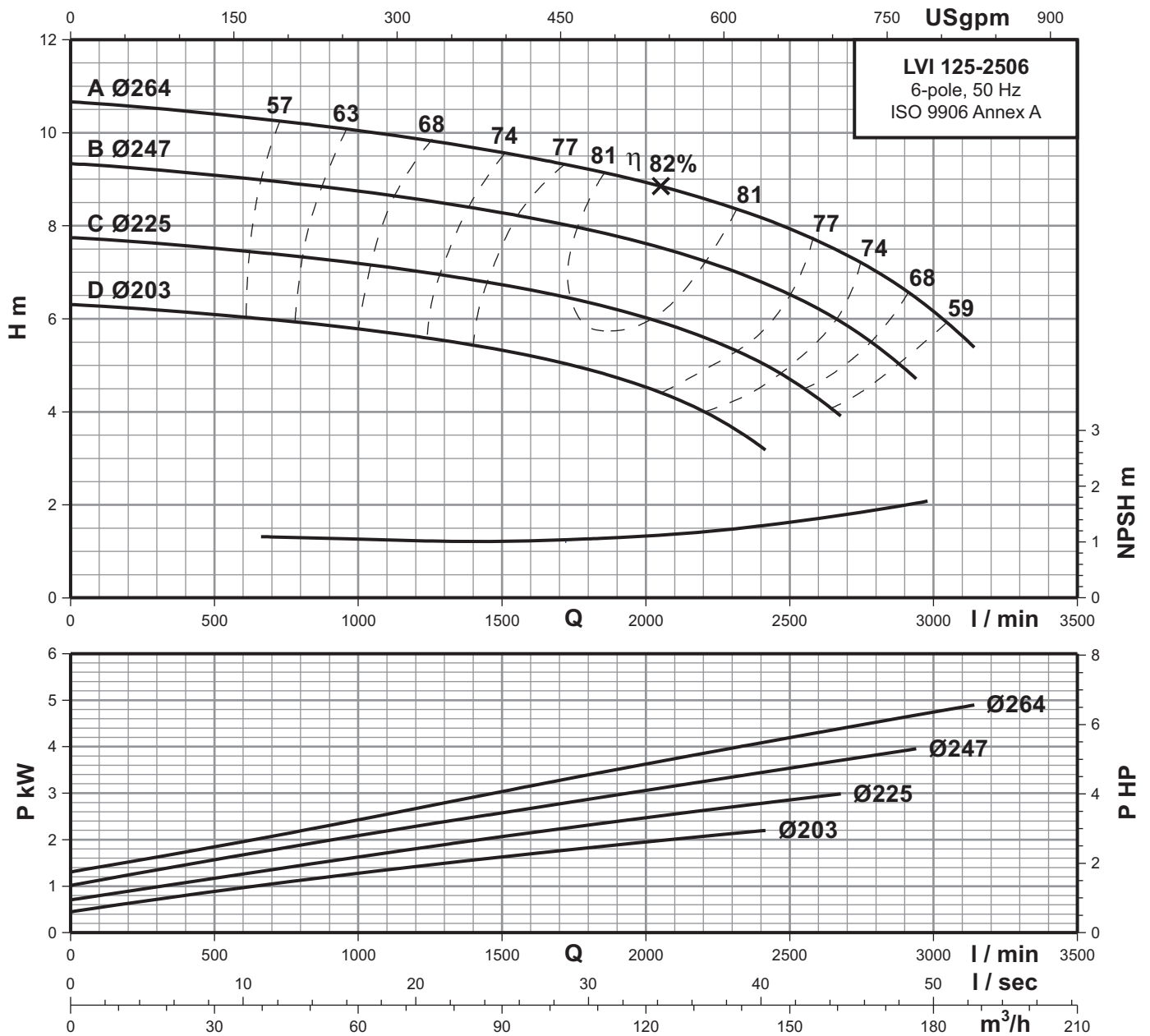
6 POLE

Performance curves

LVI 125-2506

Close-coupled & Split-coupled vertical in-line pumps

6-pole



Performance data at n=960 rpm

Model	Power		Q m ³ /h	30	60	72	90	102	120	132	150	162	180
	kW	HP		Q l/min	500	1000	1200	1500	1700	2000	2200	2500	2700
LVI 125-2506D	2.20	3.00	H mts.	6.1	5.8	5.7	5.3	5.1	4.5	4	-	-	-
LVI 125-2506C	3.00	4.00		7.5	7.2	7	6.8	6.5	6	5.2	4.7	-	-
LVI 125-2506B	4.00	5.50		9.1	8.7	8.6	8.3	8.1	7.7	7.2	6.5	5.8	-
LVI 125-2506A	5.50	7.50		10.4	10	9.9	9.6	9.3	8.9	8.6	7.9	7.3	6.2

Note: Performance of LVS pump is same as LVI pump.

While ordering of LVS series pump, please use LVS prefix instead of LVI to pump model.

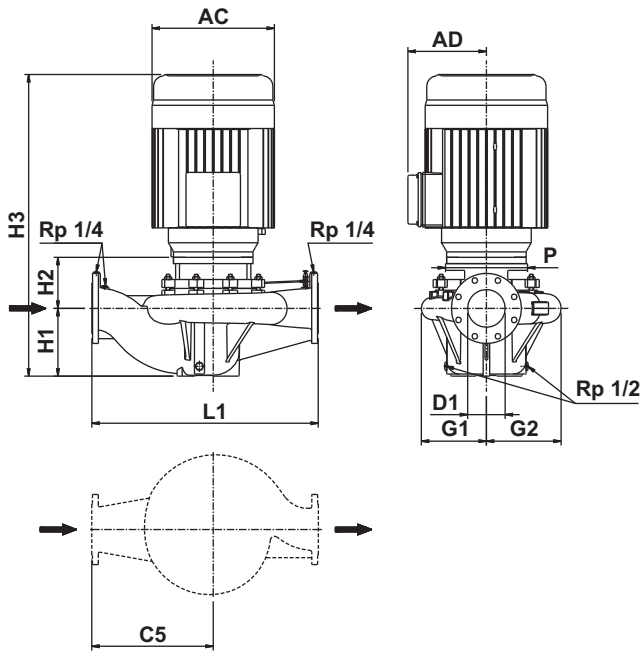
Technical Data

Close-coupled & Split-coupled vertical in-line pumps

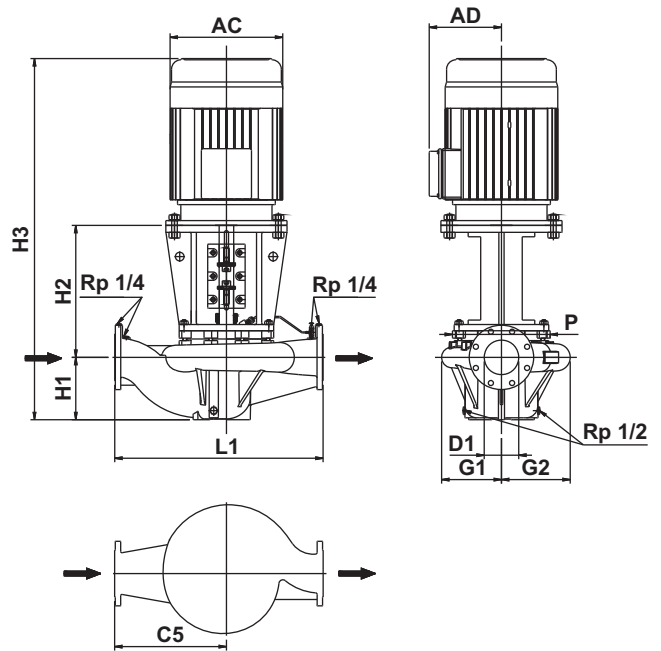
LVI 125-3156

6-pole

LVI - CLOSED-COUPLED VERTICAL IN-LINE PUMP



LVS - SPLIT-COUPLED VERTICAL IN-LINE PUMP



		LVI				LVS			
Power	[kW]	4.00	5.50	7.50	9.30	4.00	5.50	7.50	9.30
	[hp]	5.50	7.50	10.0	12.5	5.50	7.50	10.0	12.5
Frame		132M	132M	160M	160M	132M	132M	160M	160M
PN	[bar]	16	16	16	16	16	16	16	16
Code for Impeller diameter		D	C	B	A	D	C	B	A
D1	[mm]	125	125	125	125	125	125	125	125
H1	[mm]	220	220	220	220	220	220	220	220
H2	[mm]	135	135	148	148	361	361	396	396
H3	[mm]	772	772	868	868	1002	1002	1115	1115
L1	[mm]	775	775	775	775	775	775	775	775
C5	[mm]	420	420	420	420	420	420	420	420
G1	[mm]	227	227	227	227	227	227	227	227
G2	[mm]	263	263	263	263	263	263	263	263
P	[mm]	225	225	254	254	225	225	254	254
AC	[mm]	260	260	303	303	260	260	303	303
AD	[mm]	178	178	222	222	178	178	222	222
Net Weight	[kg]	196	206	214	220	222	232	247	253
Gross Weight	[kg]	271	281	303	309	305	315	348	354
Volume	[m ³]	0.611	0.611	0.802	0.802	0.787	0.787	0.974	0.974

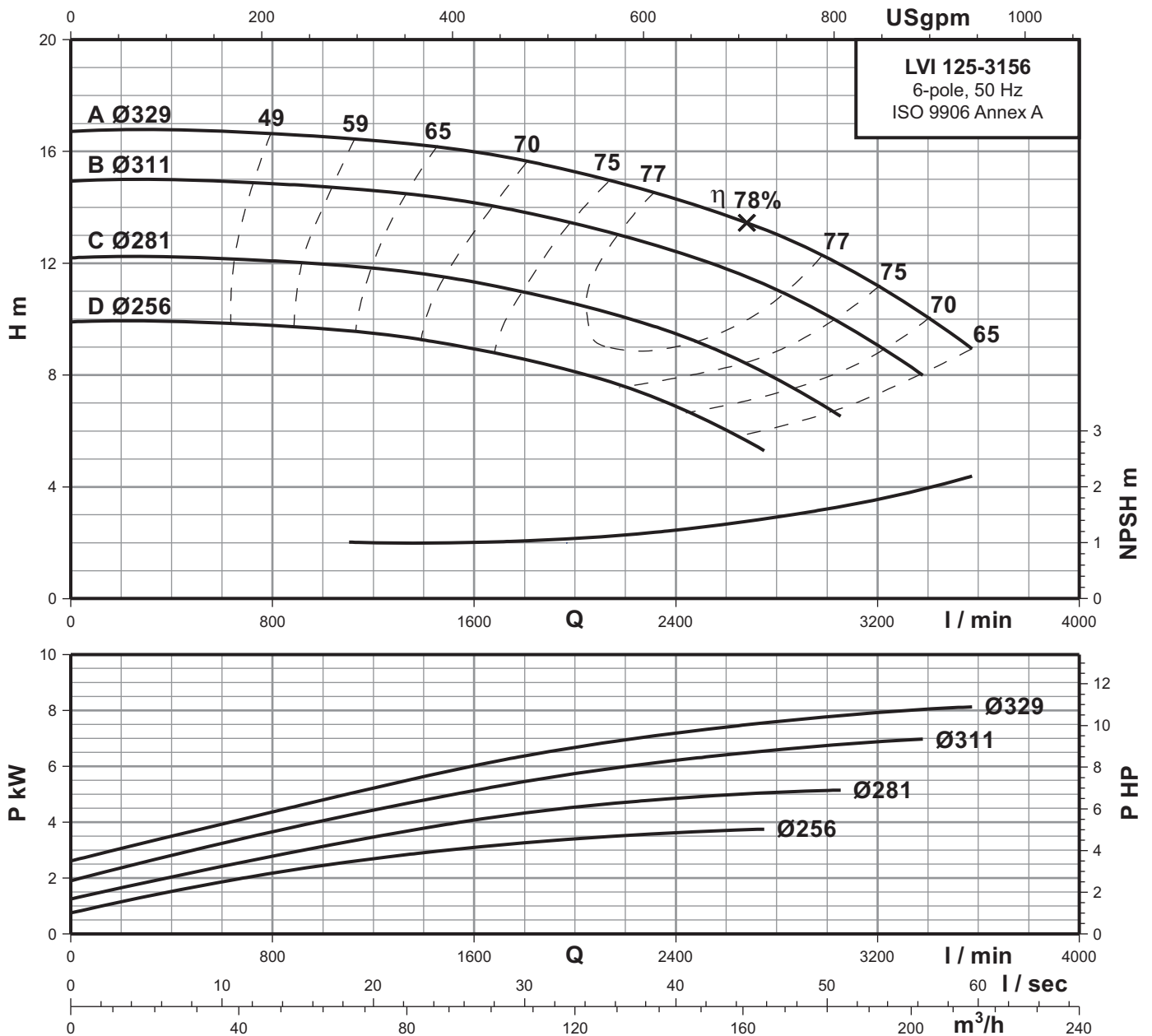
6 POLE

Performance curves

LVI 125-3156

Close-coupled & Split-coupled vertical in-line pumps

6-pole



Performance data at n=960 rpm

Model	Power		Q m ³ /h	60	72	84	96	108	120	132	144	156	168	180	192	204
	kW	HP		Q l/min	1000	1200	1400	1600	1800	2000	2200	2400	2600	2800	3000	3200
LVI 125-3156D	4.00	5.50	H mts.	9.6	9.5	9.3	9	8.5	8.1	7.5	6.8	6	-	-	-	-
LVI 125-3156C	5.50	7.50		12	11.8	11.6	11.4	11	10.6	10	9.4	8.7	7.8	6.8	-	-
LVI 125-3156B	7.50	10.0		14.7	14.6	14.4	14.2	13.8	13.5	13	12.4	11.8	11	10.2	9.1	-
LVI 125-3156A	9.30	12.5		16.5	16.4	16.2	16	15.7	15.3	14.8	14.3	13.7	13	12.3	11.3	10

Note: Performance of LVS pump is same as LVI pump.

While ordering of LVS series pump, please use LVS prefix instead of LVI to pump model.

6 POLE

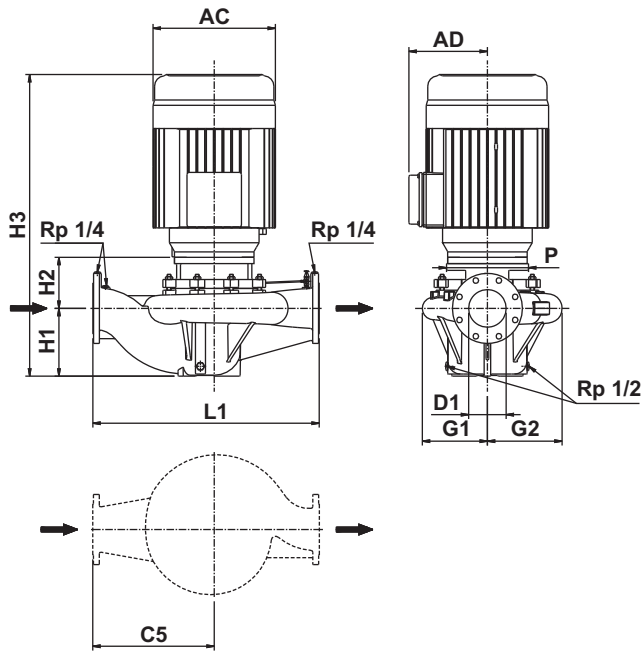
Technical Data

LVI 125-4006

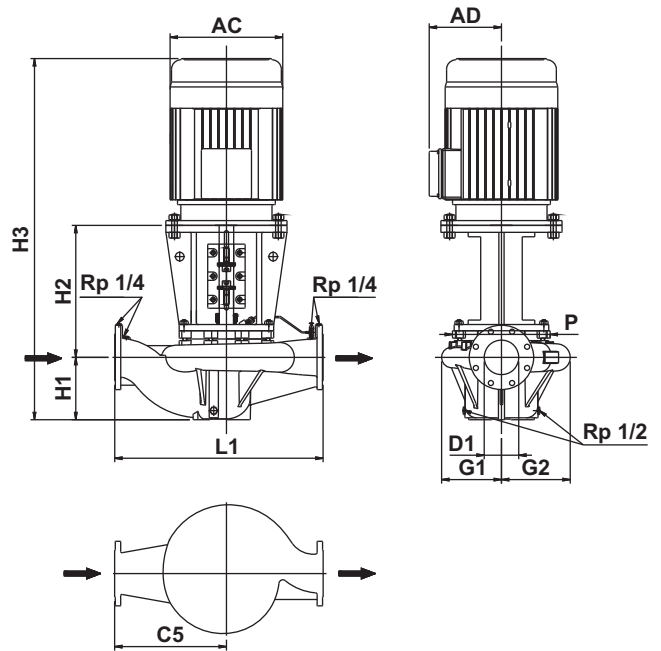
Close-coupled & Split-coupled vertical in-line pumps

6-pole

LVI - CLOSED-COUPLED VERTICAL IN-LINE PUMP



LVS - SPLIT-COUPLED VERTICAL IN-LINE PUMP



		LVI			LVS		
Power	[kW]	11	15	18.5	11	15	18.5
	[hp]	15	20	25	15	20	25
Frame		160L	180L	200L	160L	180L	200L
PN	[bar]	16	16	16	16	16	16
Code for Impeller diameter		C	B	A	C	B	A
D1	[mm]	125	125	125	125	125	125
H1	[mm]	245	245	245	245	245	245
H2	[mm]	148	148	297	396	396	400
H3	[mm]	937	1034	1230	1184	1283	1334
L1	[mm]	875	875	875	875	875	875
C5	[mm]	475	475	475	475	475	475
G1	[mm]	266	266	266	266	266	266
G2	[mm]	299	299	299	299	299	299
P	[mm]	254	356	400	254	356	400
AC	[mm]	303	356	392	303	356	392
AD	[mm]	222	294	306	222	294	306
Net Weight	[kg]	261	389	459	294	422	459
Gross Weight	[kg]	357	503	573	402	553	573
Volume	[m ³]	0.923	1.248	1.248	1.084	1.270	1.270

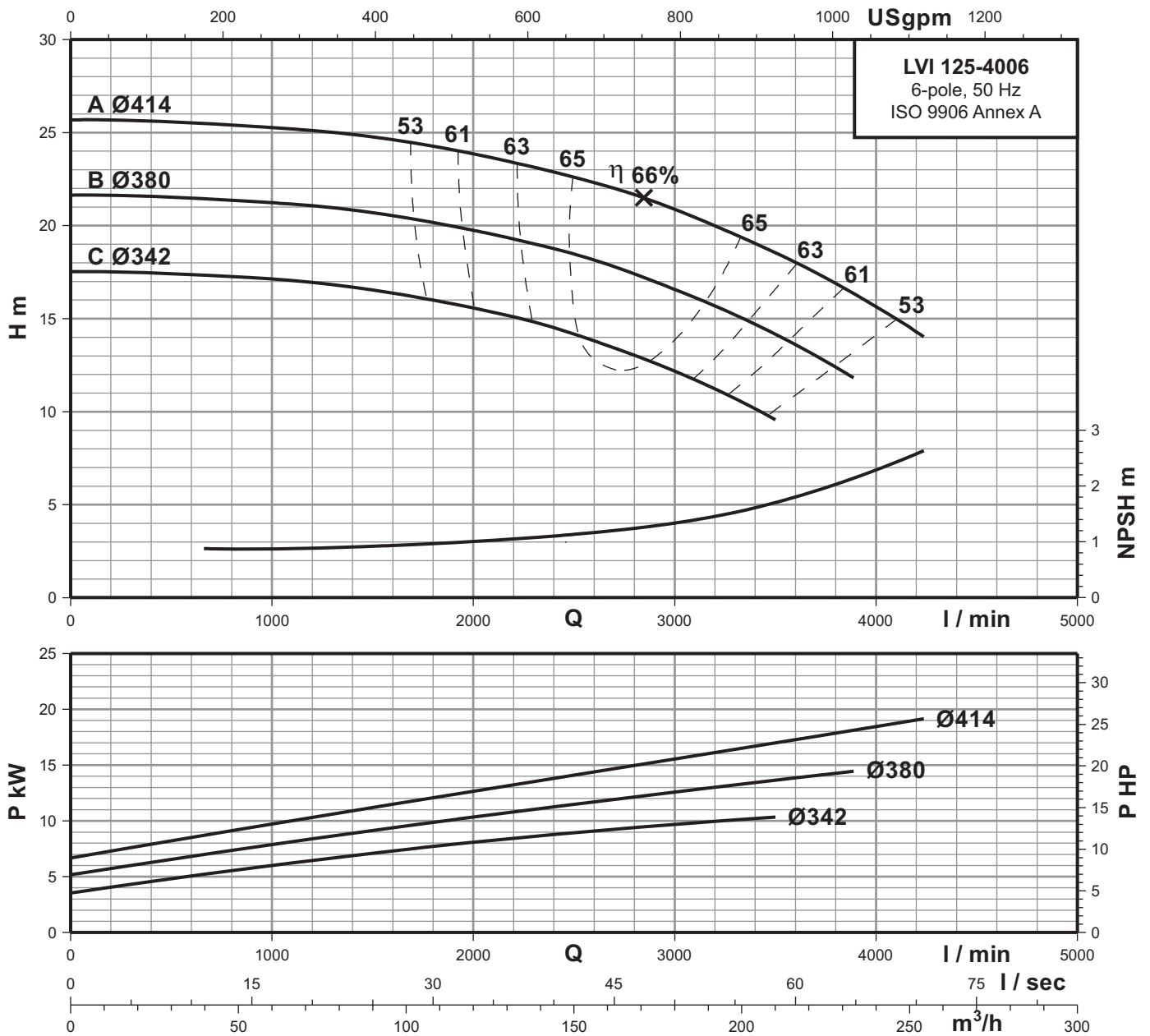
6 POLE

Performance curves

LVI 125-4006

Close-coupled & Split-coupled vertical in-line pumps

6-pole



Performance data at n=960 rpm

Model	Power		Q m ³ /h	60	90	120	150	180	210	240
	kW	HP		Q l/min	1000	1500	2000	2500	3000	3500
LVI 125-4006C	11.0	15.0	H mts.	17.1	16.6	15.5	14.2	12.2	9.6	-
LVI 125-4006B	15.0	20.0		21.3	20.7	19.7	18.5	16.5	14.2	-
LVI 125-4006A	18.5	25.0		25.3	24.7	23.9	22.6	20.9	18.5	15.6

Note: Performance of LVS pump is same as LVI pump.

While ordering of LVS series pump, please use LVS prefix instead of LVI to pump model.

6 POLE

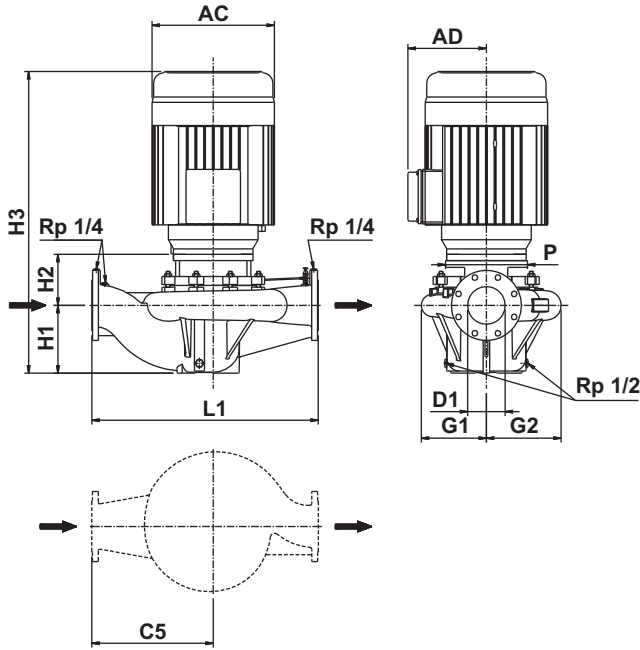
Technical Data

LVI 150-3156

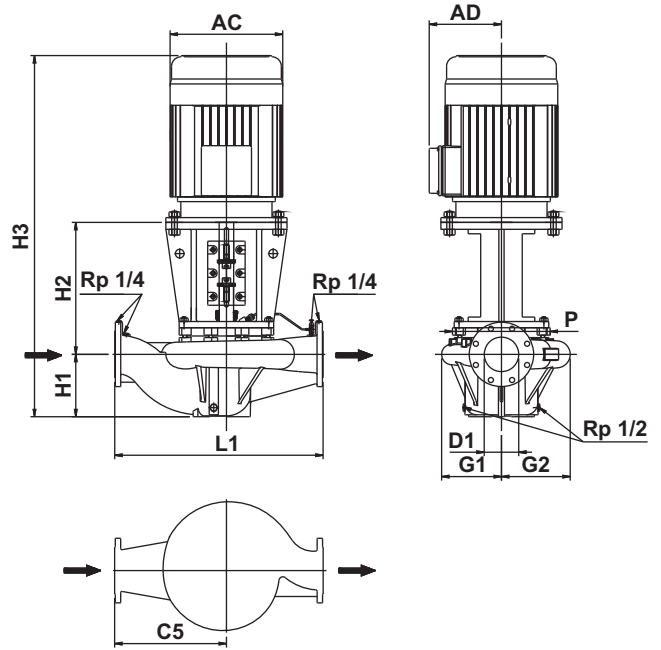
Close-coupled & Split-coupled vertical in-line pumps

6-pole

LVI - CLOSED-COUPLED VERTICAL IN-LINE PUMP



LVS - SPLIT-COUPLED VERTICAL IN-LINE PUMP



		LVI				LVS			
Power	[kW]	7.50	9.30	11.0	15.0	7.50	9.30	11.0	15.0
	[hp]	10.0	12.5	15.0	20.0	10.0	12.5	15.0	20.0
Frame		160M	160M	160L	180L	160M	160M	160L	180L
PN	[bar]	16	16	16	16	16	16	16	16
Code for Impeller diameter		D	C	B	A	D	C	B	A
D1	[mm]	150	150	150	150	150	150	150	150
H1	[mm]	260	260	260	260	260	260	260	260
H2	[mm]	148	148	148	148	396	396	396	396
H3	[mm]	908	908	952	1049	1155	1155	1199	1298
L1	[mm]	850	850	850	850	850	850	850	850
C5	[mm]	450	450	450	450	450	450	450	450
G1	[mm]	242	242	242	242	242	242	242	242
G2	[mm]	288	288	288	288	288	288	288	288
P	[mm]	254	254	254	356	254	254	254	356
AC	[mm]	303	303	303	356	303	303	303	356
AD	[mm]	222	222	222	294	222	222	222	294
Net Weight	[kg]	265	271	276	405	298	304	309	438
Gross Weight	[kg]	354	360	372	519	399	405	417	569
Volume	[m ³]	0.802	0.802	0.923	1.248	0.974	0.974	1.084	1.270

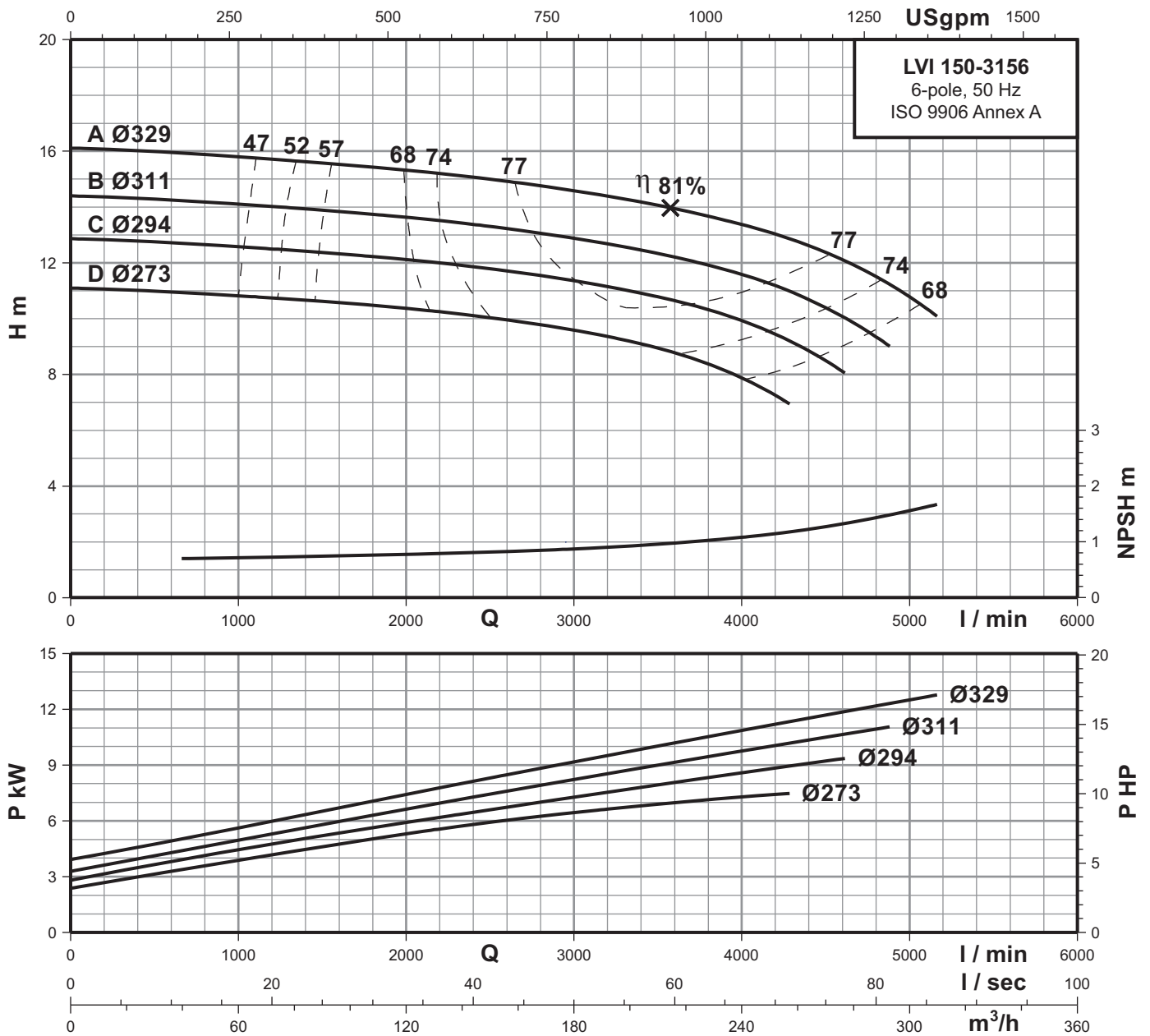
6 POLE

Performance curves

LVI 150-3156

Close-coupled & Split-coupled vertical in-line pumps

6-pole



Performance data at n=960 rpm

Model	Power		Q m ³ /h	60	90	120	150	180	210	240	270	300
	kW	HP		1000	1500	2000	2500	3000	3500	4000	4500	5000
LVI 150-3156D	7.50	10.0	H mts.	10.8	10.6	10.4	10	9.6	8.9	7.9	-	-
LVI 150-3156C	9.30	12.5		12.6	12.3	12.2	11.7	11.4	10.7	10	8.5	-
LVI 150-3156B	11.0	15.0		14.1	13.9	13.6	13.3	12.8	12.3	11.6	10.4	-
LVI 150-3156A	15.0	20.0		15.8	15.6	15.4	15	14.6	14	13.4	12.4	10.7

Note: Performance of LVS pump is same as LVI pump.

While ordering of LVS series pump, please use LVS prefix instead of LVI to pump model.

6 POLE

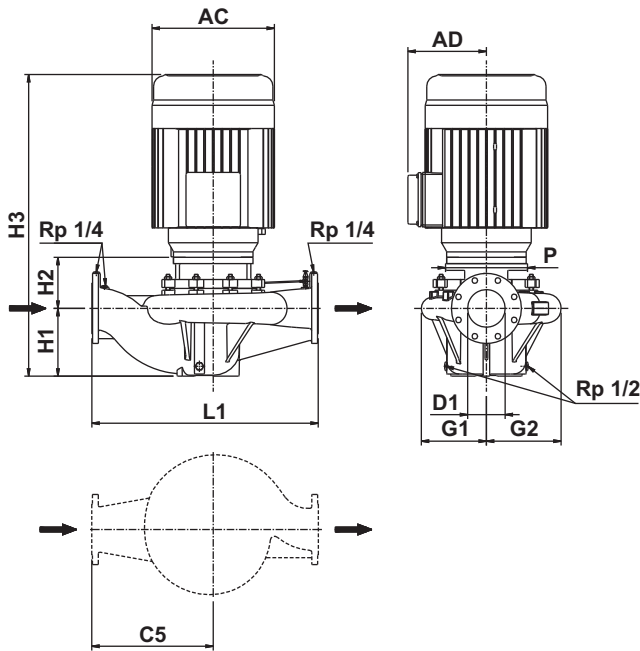
Technical Data

Close-coupled & Split-coupled vertical in-line pumps

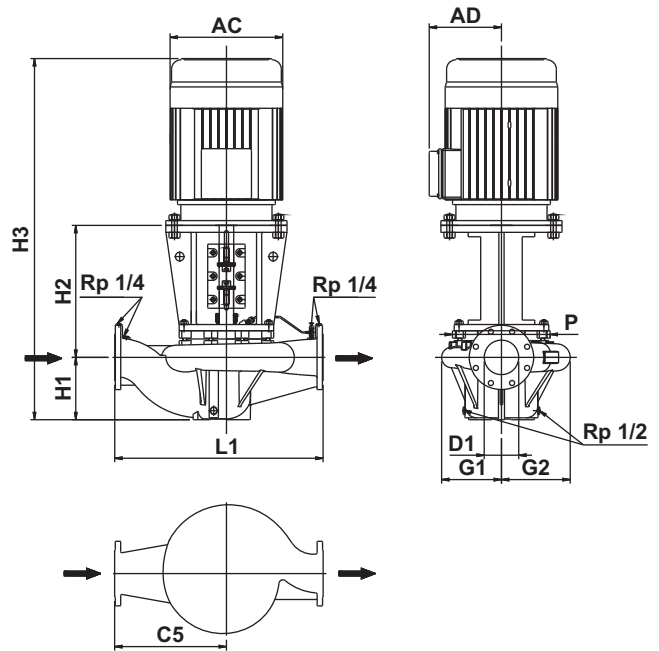
LVI 150-4006

6-pole

LVI - CLOSED-COUPLED VERTICAL IN-LINE PUMP



LVS - SPLIT-COUPLED VERTICAL IN-LINE PUMP



		LVI				LVS			
Power	[kW]	15.0	18.5	22.0	30.0	15.0	18.5	22.0	30.0
	[hp]	20.0	25.0	30.0	40.0	20.0	25.0	30.0	40.0
Frame		180L	200L	200L	225M	180L	200L	200L	225M
PN	[bar]	16	16	16	16	16	16	16	16
Code for Impeller diameter		D	C	B	A	D	C	B	A
D1	[mm]	150	150	150	150	150	150	150	150
H1	[mm]	290	290	290	290	290	290	290	290
H2	[mm]	148	148	297	297	396	396	400	400
H3	[mm]	1079	1275	1275	1312	1328	1379	1379	1416
L1	[mm]	970	970	970	970	970	970	970	970
C5	[mm]	520	520	520	520	520	520	520	520
G1	[mm]	278	278	278	278	278	278	278	278
G2	[mm]	320	320	320	320	320	320	320	320
P	[mm]	356	400	400	450	356	400	400	450
AC	[mm]	356	392	392	419	356	392	392	419
AD	[mm]	294	306	306	328	294	306	306	328
Net Weight	[kg]	425	495	506	582	458	495	506	582
Gross Weight	[kg]	538	642	653	729	588	642	653	729
Volume	[m ³]	1.166	1.800	1.800	1.800	1.404	1.800	1.800	1.800

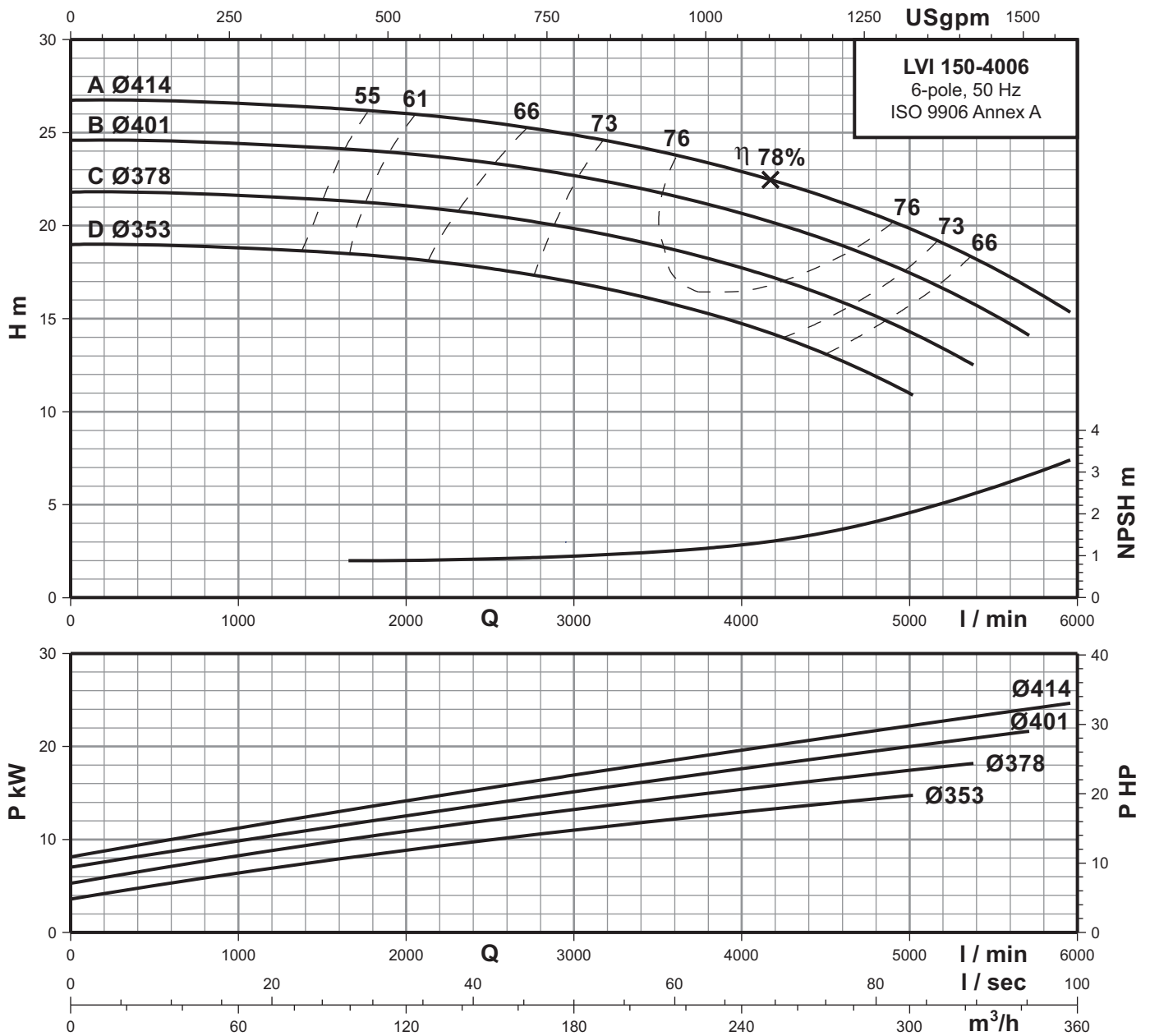
6 POLE

Performance curves

LVI 150-4006

Close-coupled & Split-coupled vertical in-line pumps

6-pole



Performance data at n=960 rpm

Model	Power		Q m³/h	60	90	120	150	180	210	240	270	300	330
	kW	HP		1000	1500	2000	2500	3000	3500	4000	4500	5000	5500
LVI 150-4006D	15.0	20.0	H mts.	18.9	18.6	18.2	17.7	17	16	14.7	13.1	11	-
LVI 150-4006C	18.5	25.0		21.7	21.4	21	20.5	19.8	19	17.7	16.3	14.3	-
LVI 150-4006B	22.0	30.0		24.4	24.2	23.9	23.4	22.7	21.8	20.6	19.3	17.5	15.2
LVI 150-4006A	30.0	40.0		26.5	26.3	26	25.5	24.9	24	23	21.5	19.9	17.6

Note: Performance of LVS pump is same as LVI pump.

While ordering of LVS series pump, please use LVS prefix instead of LVI to pump model.