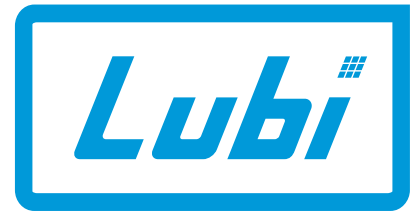


LFB SERIES

Single-stage Filter Press Feed pumps
50 Hz



Passion for Pumps

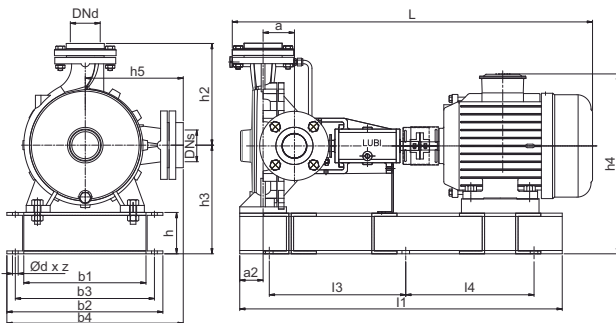


FEATURES AND BENEFITS

- Horizontal Foot Mounted Centrifugal Gland Suction design long coupled pump.
- Semi-open type impeller designed to handle slurries with solids.
- Side & Gland Suction & Top Discharge connection
- Least Leakage due to gland portion on Suction side.
- Positive / Gravity Suction Head is required for satisfactory performance.
- Direction of Rotation - Anti Clock wise from shaft end.
- Shaft is protected from Sleeve which gives longer life of shaft.
- Heavy duty oil lubricated bearing housing with two nos. of std. ball bearings.
- Available in All Cast Iron, Cast Steel, Cast Iron with SS Rotating Parts, All SS-304 & SS-316 MOC.

APPLICATIONS

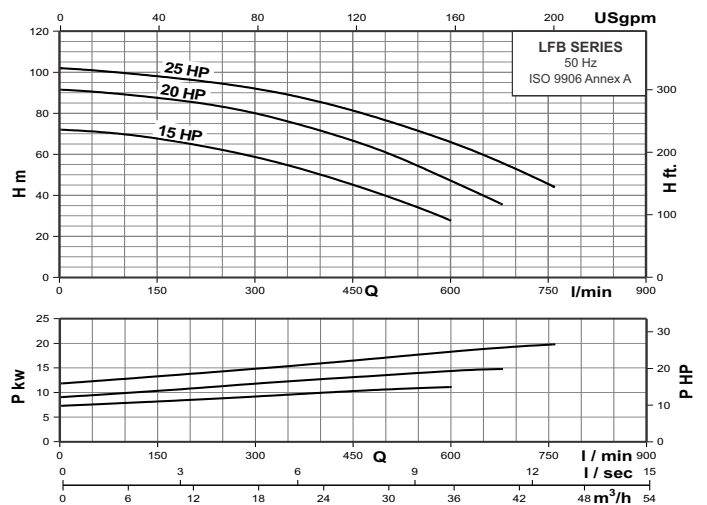
- Ideal for Filter Press applications in Dyes, Intermediates, Chemicals, Textiles, Ceramics, Waste Oil Refining etc. industries.
- Oil & Petrochemicals Industries.
- Effluent Treatment Plants, Loading, Unloading of Chemicals, Light Petroleum Products.



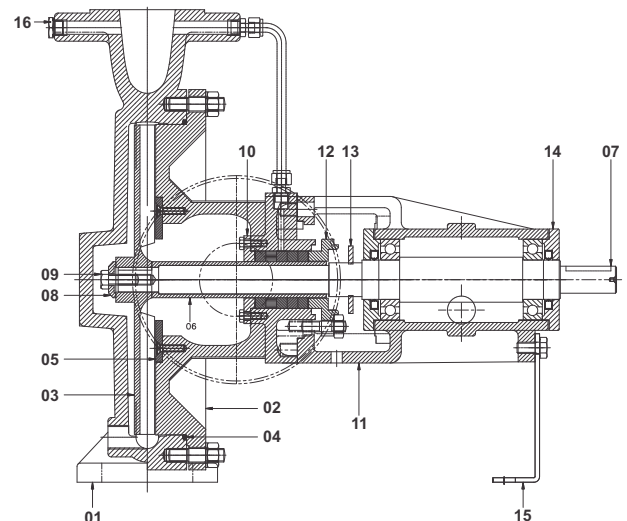
TECHNICAL DATA

Power	[kw]	11	15	18.5
	[hp]	15	20	25
Frame		160M	160M	160L
PN	[bar]	16	16	16
DNs	[mm]	65	65	65
DNd	[mm]	50	50	50
a	[mm]	79.5	79.5	79.5
h2	[mm]	272	272	272
L	[mm]	1101	1101	1143
l1	[mm]	988	988	988
l3	[mm]	448	448	448
l4	[mm]	390	390	390
b1	[mm]	330	330	330
b2	[mm]	430	430	430
b3	[mm]	384	384	384
b4	[mm]	474	474	474
Ød x z		22 x 6	22 x 6	22 x 6
a2	[mm]	75	75	75
h	[mm]	100	100	100
h3	[mm]	280	280	280
h4	[mm]	523	523	523
h5	[mm]	259	259	259
Net Weight	[kg]	212	228	265
Gross Weight	[kg]	296	312	349
Volume	[m ³]	0.608	0.608	0.629

PERFORMANCE RANGE



SECTIONAL DRAWING & MATERIALS



POS.	COMPONENT	A-VERSION	B-VERSION	C-VERSION	D-VERSION	E-VERSION
1	Volute Casing	Cast Iron	Cast Iron	Cast Iron	CF-8	CF-8M
2	Adaptor	Cast Iron	Cast Iron	Cast Iron	CF-8	CF-8M
3	Impeller	Cast Iron	CF-8	CF-8M	CF-8	CF-8M
4	O-Ring	NBR	NBR	NBR	Viton	Viton
5	Suction Plate	S.S. AISI 410	S.S. AISI 304	S.S. AISI 316	S.S. AISI 304	S.S. AISI 316
6	Shaft Sleeve	S.S. AISI 410	S.S. AISI 304	S.S. AISI 316	S.S. AISI 304	S.S. AISI 316
7	Shaft	S.S. AISI 410	S.S. AISI 304	S.S. AISI 316	S.S. AISI 304	S.S. AISI 316
8	Impeller Washer	S.S. AISI 410	S.S. AISI 304	S.S. AISI 316	S.S. AISI 304	S.S. AISI 316
9	Impeller Lock pin	S.S. AISI 410	S.S. AISI 304	S.S. AISI 316	S.S. AISI 304	S.S. AISI 316
10	Gland Cover	Cast Iron	Cast Iron	Cast Iron	S.S. AISI 304	S.S. AISI 316
11	Bearing Bracket	Cast Iron	Cast Iron	Cast Iron	Cast Iron	Cast Iron
12	Gland Follower	Cast Iron	Cast Iron	Cast Iron	CF-8	CF-8M
13	Water Thrower	NBR	NBR	NBR	NBR	NBR
14	Bearing Cover	Cast Iron	Cast Iron	Cast Iron	Cast Iron	Cast Iron
15	Foot	Carbon Steel	Carbon Steel	Carbon Steel	Carbon Steel	Carbon Steel
16	Plugs	Carbon Steel	Carbon Steel	Carbon Steel	Carbon Steel	Carbon Steel

LUBI INDUSTRIES LLP

Near Kalyan Mills, Naroda Road, Ahmedabad-380 025, INDIA.

Phone : +91 - 79 - 61700100, Fax No. :+91 - 79 - 61700399.

Sales Enquiries: indsales@lubipumps.com

www.lubipumps.com

Product Improvement is a continuous process at 'LUBI'. The data given in this publication is therefore subject to revision.

00.00.111216.0096



ISO 9001



ISO 14001

Customer Care Number : 9824200800