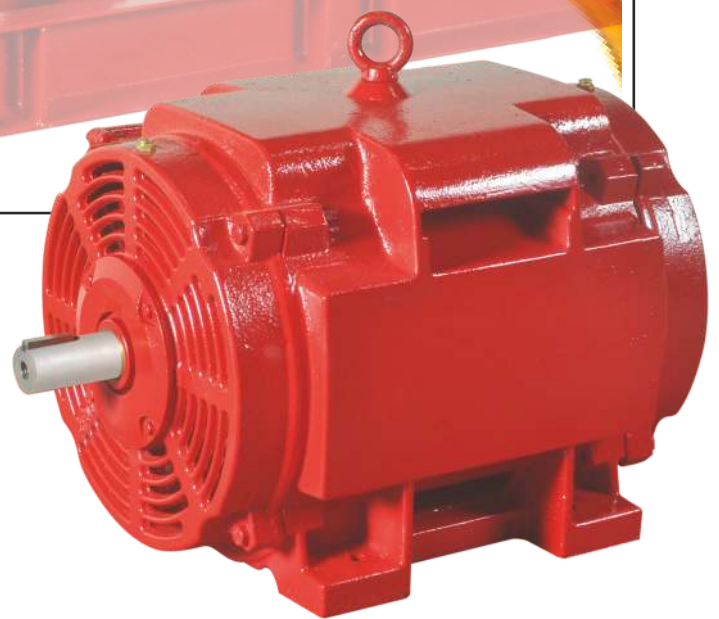
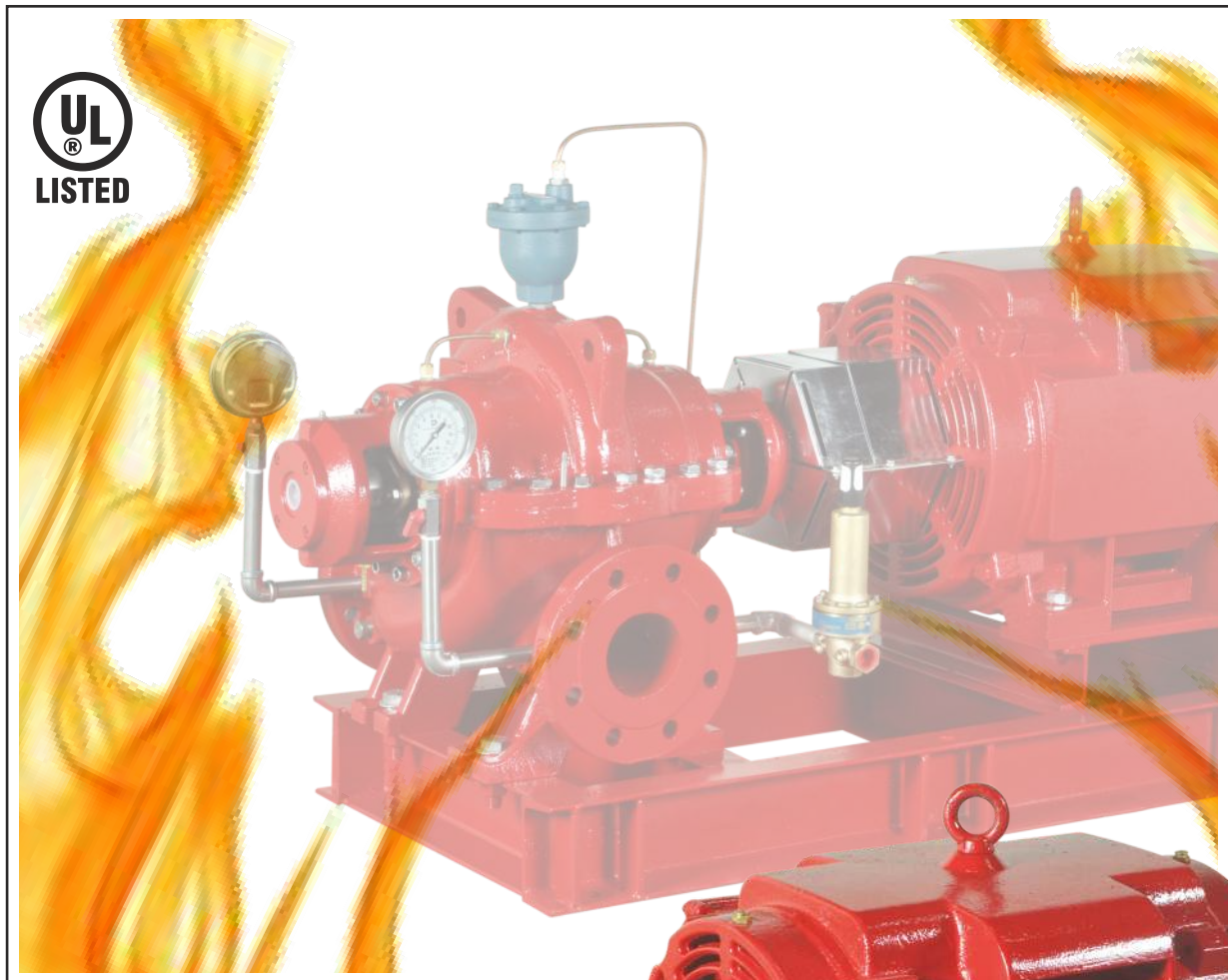
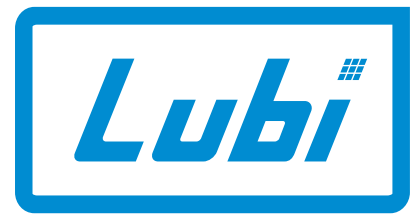


**LD SERIES**

**Fire Pump Motors  
50/60 Hz**



**QUALITY • INNOVATION • SUSTAINABILITY**

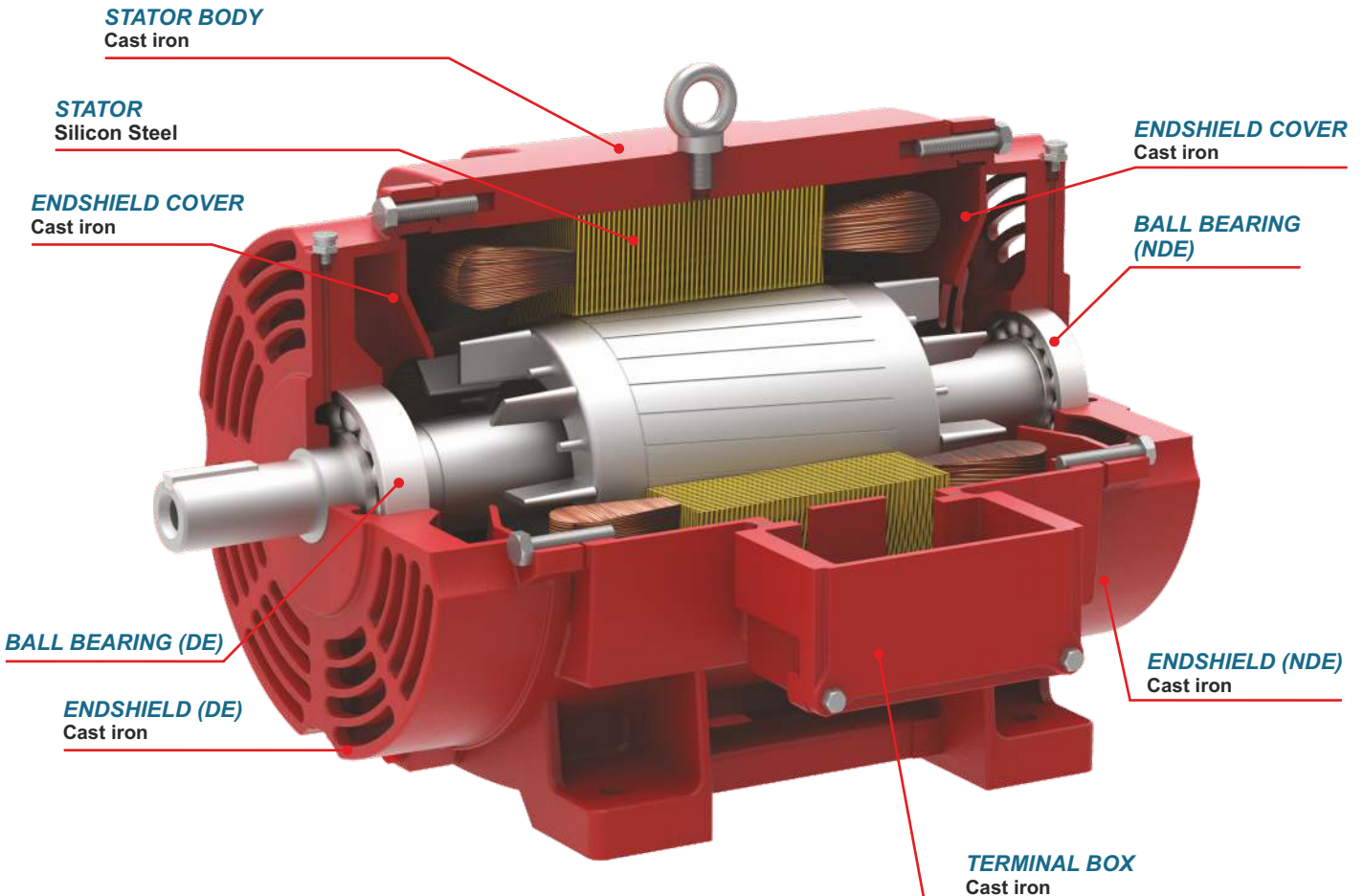
## FIRE PUMP MOTORS - NEMA ODP

LUBI's Fire Pump motors are UL listed for Fire Pump applications in accordance with NFPA 20 and UL 1004-5, In addition, they feature a Class F Insulation System and 1.15 Service Factor on the entire range of motors.

### STANDARD FEATURES

- 2 pole, 50Hz, 2900 RPM's
- 60Hz, 3500 RPM's
- Voltage: 380 - 415V (50Hz)
- 208 - 230V (60Hz)
- 460 (60Hz)
- 380 - 400V (60Hz)
- 575V (60Hz)
- 15 to 200 Horsepower
- Open Drip Proof (ODP)
- NEMA Dimensions
- NEMA design 'B' ratings
- Service Factor: 1.15
- Class 'F' insulation for all Frames, Class B rise
- Continuous Duty (S1)
- 50°C Ambient Temperature
- Cast Iron Frames
- Ball Bearings
- Altitude: 3300 ft (1000m)
- Carbon Steel Shaft
- Paint: RAL 3002
- UL Listed

### MATERIAL OF CONSTRUCTION



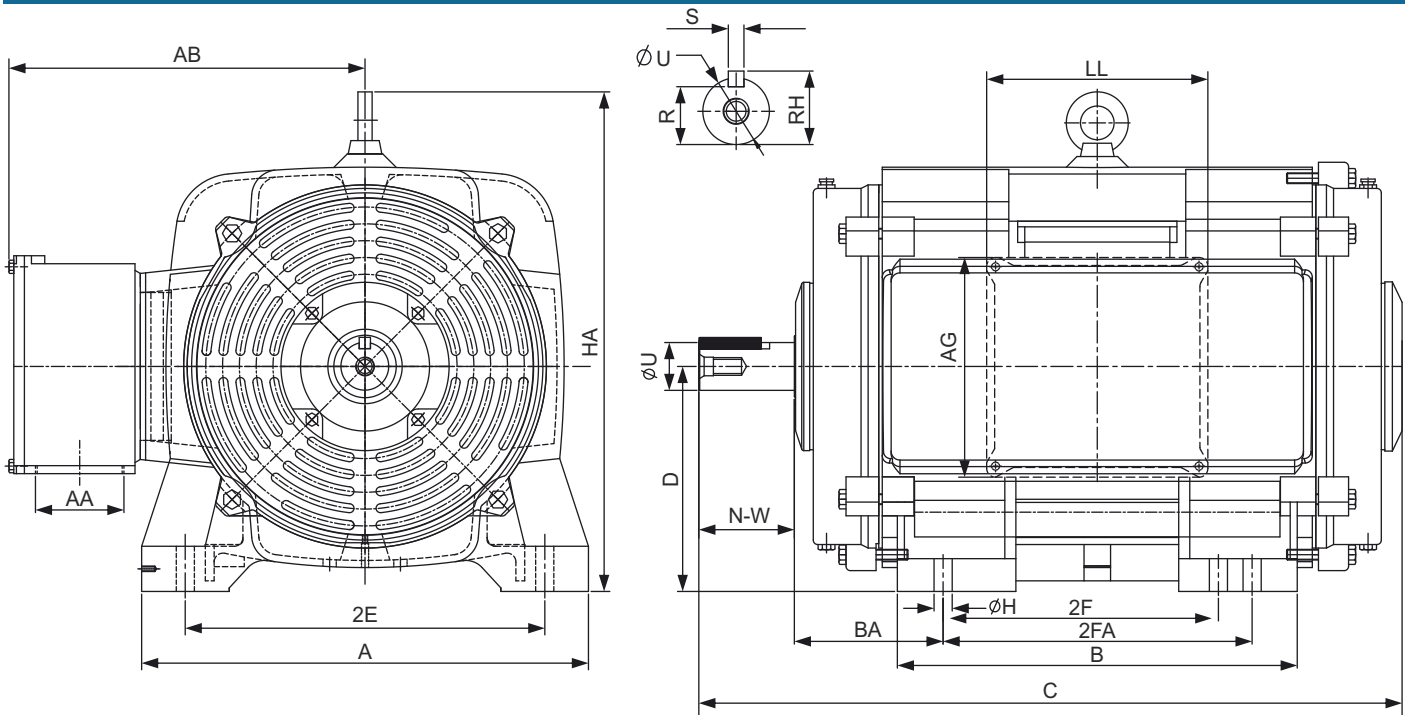
# FIRE PUMP MOTORS



## NEMA, ODP 50/60 HZ FOOT MOUNT- THREE PHASE MOTORS

Serial No.	Model No.	Output [HP]	Hz	Volts	Frame Size	FL Amps	Service factor	Pole	RPM	INS class	Rated Ambient
1	LD015A2P256T	15	50	380-415	256T	20.8-19.1	1.15	2	2890-2910	F	40
			60	230		35.2			3515		
			60	460		17			3515		
2	LD015C2P256T	20	60	380-400	256T	20.7-19.8	1.15	2	3515-3525	F	40
3	LD020A2P256T		50	380-415		28.3-25.6			2895-2915		
60	230		46	3520							
4	LD020C2P256T	25	60	380-400	256T	27.9-26.7	1.15	2	3515-3525	F	40
5	LD025A2P256T		50	380-415		33.5-30.6			2890-2915		
60	230		55.7	3520							
6	LD025C2P256T	30	60	380-400	286TS	34.8-33.1	1.15	2	3520	F	40
7	LD030A2P286TS		50	380-415		43.3-39.7			2925-2940		
60	230		71	3540							
8	LD030C2P286TS	40	60	380-400	286TS	35.3	1.15	2	3540	F	40
9	LD040A2P286TS		50	380-415		42.6-40.4			3525-3535		
60	230		94.4	2915-2935							
10	LD040C2P286TS	50	60	380-400	326TS	47.1	1.15	2	3540	F	40
11	LD050A2P326TS		50	380-415		56.9-54			3530-3540		
60	230		70.6 – 63.9	2925-2940							
12	LD050C2P326TS	60	60	380-400	326TS	56.1	1.15	2	3550	F	40
13	LD060A2P326TS		50	380-415		68.8 – 65.4			3555-3560		
60	230		84.7-77.6	2940-2955							
14	LD060C2P326TS	75	60	380-400	365TS	69.1	1.15	2	3560	F	40
15	LD075A2P365TS		50	380-415		83.7-79.7			3550-3555		
60	230		98.9-93.2	2950-2960							
16	LD075C2P365TS	100	60	380-400	365TS	83.1	1.15	2	3565	F	40
17	LD100A2P365TS		50	380-415		102.5-98.1			3560-3565		
60	230		139.4 – 126	2940-2955							
18	LD100C2P365TS	125	60	380-400	405TS	113.4	1.15	2	3560	F	40
19	LD125B2P405TS		50	380-415		137.6-130			3550-3555		
60	460		171.3-155.4	2935-2945							
20	LD125C2P405TS	150	60	380-400	405TS	137.1	1.15	2	3560	F	40
21	LD150B2P405TS		50	380-415		167.9-158.3			3540-3550		
60	460		201.3-184.3	2945-2955							
22	LD150C2P405TS	200	60	380-400	445TS	163.8	1.15	2	3560	F	40
23	LD200B2P445TS		50	380-415		199.1-187.9			3535-3540		
60	460		278.5-252.3	2955-2965							
24	LD200C2P445TS	200	60	380-400	445TS	226.1	1.15	2	3570	F	40
60	380-400		275.1-262.7	3570-3575							

## DIMENSIONS



FRAME	256T	286TS	326TS	365TS	405TS	445TS
2E	254.0	279.4	317.5	355.6	406.4	457.2
A	310	348	382	432	505	558
AB	275	284	310	403	403	510
HA	373	407	459	539	564	658
AG	170	170	188	248	248	380
2F	254.0	279.4	304.8	285.8	311.2	368.3
2FA	-	-	-	311.2	349.3	419.1
B	307	333	372	394	452	509
BA	108.0	120.7	133.4	149.3	168.2	190.5
ØU	41.2	41.2	47.6	47.6	54.0	60.3
N-W	101.6	82.6	95.3	95.3	108.0	120.7
S	9.5	9.5	12.7	12.7	12.7	15.9
R	36.0	36.0	40.4	40.4	46.9	51.3
RH	13.5	45.5	52.8	52.8	59.6	67.0
D	158.8	177.8	203.2	228.6	254.0	279.4
ØH	13.5	13.5	16.8	16.8	20.5	20.6
AA	2XM50X1.5	2XM50X1.5	2XM50X1.5	1 X 3"	1 X 3"	2 X 3"
C	566	597	668	708	795	920
LL	186	186	195	250	250	380

Note : All dimensions are in mm

## LUBI INDUSTRIES LLP

Near Kalyan Mills, Naroda Road, Ahmedabad-380 025, INDIA.

Phone : +91 - 79 - 61700100, Fax : +91 - 79 - 61700399.

Sales Enquiries: [indsales@lubipumps.com](mailto:indsales@lubipumps.com)

[www.lubipumps.com](http://www.lubipumps.com)

Product Improvement is a continuous process at 'LUBI'. The data given in this publication is therefore subject to revision.

00.00.290619.0191



ISO 9001



ISO 14001

Customer Care Number : 9824200800